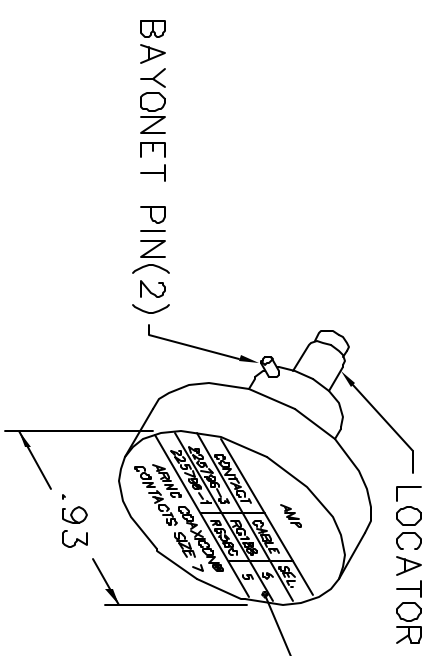
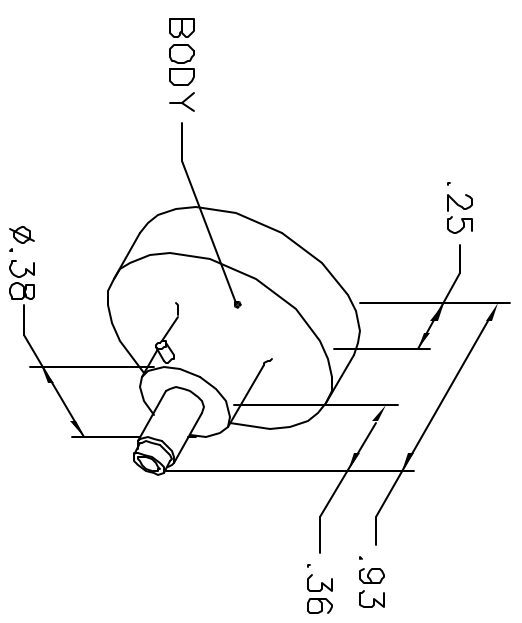


REVISIONS				
REV. SYM.	E.C.O. NUMBER	DESCRIPTION	BY DATE	APP'D DATE
1		ORIGINAL RELEASE	TS 3-24-88	DH 3-24-88

**UNCONTROLLED DOCUMENT
WILL NOT BE UPDATED**



AMP		
CONTACT	CABLE	SEL.
225796-3	RG188	5
225796-1	RG58C	5
ARINC COAXICON® CONTACTS SIZE 7		

NOTE: FOR USE WITH DANIELS CRIMP TOOLS
ACCOMMODATING "K" SERIES POSITIONERS

LOCATOR	ADDITIONAL FEATURES
HOLE DIMENSIONS	
Ø.065 ±.363	

RESTRICTED & CONFIDENTIAL

CONFIDENTIAL PROPERTY OF DANIELS MANUFACTURING CORP. NOT TO BE DISCLOSED TO OTHERS, REPRODUCED OR USED FOR ANY OTHER PURPOSE, EXCEPT AS AUTHORIZED IN WRITING BY DANIELS MANUFACTURING. MUST BE RETURNED TO DANIELS MANUFACTURING CORP. ON COMPLETION OF ORDER OR OTHER PURPOSE FOR WHICH LENT.

DO NOT SCALE DRAWING

DRN.	TS	DATE
CHK'D.	DH	DATE
APP'D.	AAM	DATE
APP'D.		DATE

DMO DANIELS MANUFACTURING CORP.
ORLANDO, FLORIDA
CAGE 11851

TITLE
ENVELOPE DRAWING
POSITIONER

WHERE USED: AFMB		CAD P/N	SHEET	REV.
SIZE	SCALE	K344-ENV	1	1
A	NTS			
POSTING		P/N		
		K344-ENV		