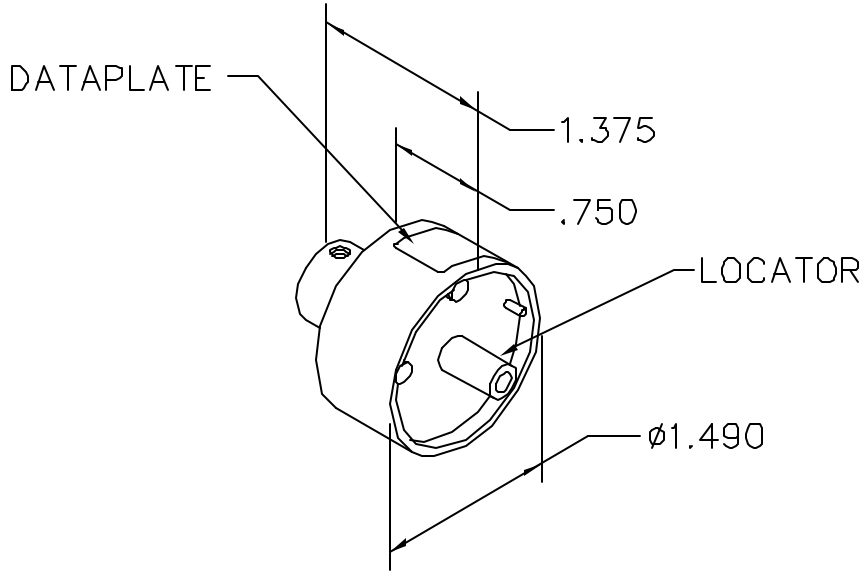


REVISIONS				
REV. SYM.	E.C.D. NUMBER	DESCRIPTION	BY DATE	APP'D DATE
1		ORIGINAL RELEASE	AAM 6-1-00	RRR 6-1-00

**UNCONTROLLED DOCUMENT
WILL NOT BE UPDATED**



SNC	SN 2176K 101
RADIALL	282581
USE WITH GS200-1 CRIMP TOOL	

DATAPLATE

LOCATOR	
HOLE DIMENSIONS	ADDITIONAL FEATURES
ϕ .169 ∇ 1.14 MIN.	\sqcap ϕ .209 ∇ .069

RESTRICTED & CONFIDENTIAL

CONFIDENTIAL PROPERTY OF DANIELS MANUFACTURING CORP. NOT TO BE DISCLOSED TO OTHERS, REPRODUCED OR USED FOR ANY OTHER PURPOSE, EXCEPT AS AUTHORIZED IN WRITING BY DANIELS MANUFACTURING. MUST BE RETURNED TO DANIELS MANUFACTURING CORP. ON COMPLETION OF ORDER OR OTHER PURPOSE FOR WHICH LENT.

DO NOT SCALE DRAWING

DRN. A. MOO-YOUNG	DATE 6-1-00
CHK'D. RRR	DATE 6-1-00
APP'D.	DATE
APP'D.	DATE

DANIELS MANUFACTURING CORP.
ORLANDO, FLORIDA
CAGE 11851

TITLE
ENVELOPE DRAWING
SINGLE POSITION HEAD

WHERE USED: GS200-1

SIZE A	SCALE NTS	CAD P/N G2P844-ENV	SHEET OF 1 1
POSTING	P/N G2P844-ENV	REV. 1	