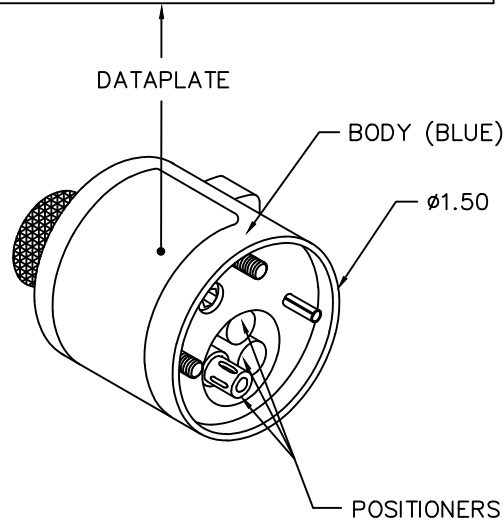


CONTACT SIZE	POSITIONER AND MATING END COLOR	26	24	22	20	18	16	14	12	WIRE SIZE	SELECTOR NO.	
20-20	RED	1	2	3	4							
16-22 16-20*	BLUE	1	2	3	4							
12-16 12-12	YELLOW				4	5	6		7	8		

MS3162&63 MS3192&93 MS18134&36 MS24254&55 MS90453&54
M39029/1, /2, /3, /4, /5, /9, /10, /11, /12
M83723/29, /30, /33, /34 *M39029/1-101 USE RED POS

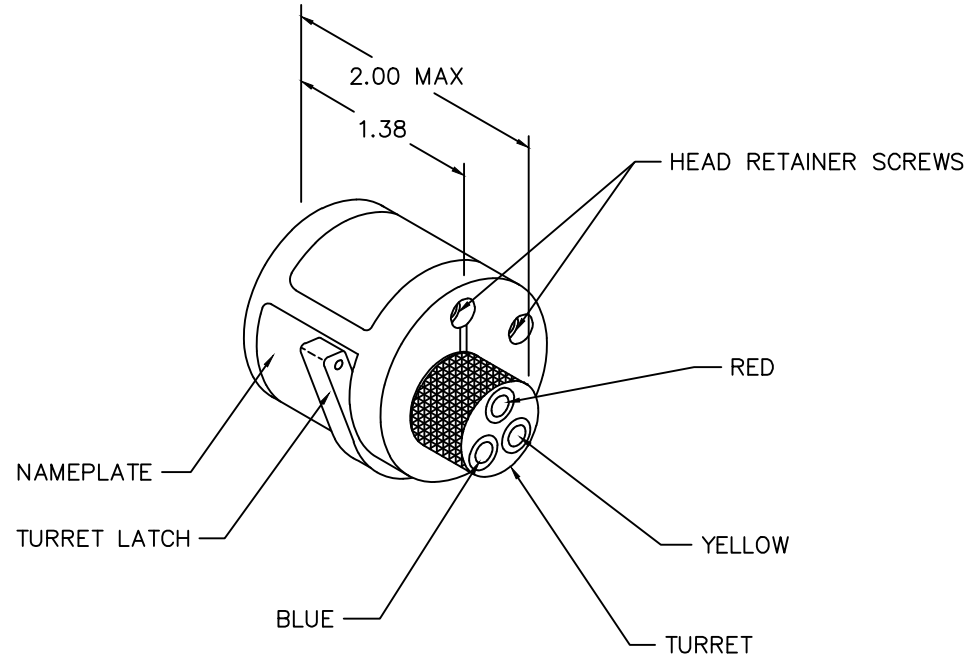



POSITIONER COLOR	* HOLE DIMENSIONS	ADDITIONAL FEATURES
RED	$\phi .081$ $\nabla 1.14$ MIN.	$\perp \phi .106$ $\nabla .30$
BLUE	$\phi .125$ $\nabla .84$ MIN.	$\perp \phi .156$ $\nabla .055$
YELLOW	$\phi .173$ $\nabla .84$ MIN.	$\perp \phi .206$ $\nabla .055$

* HOLE DEPTH DIMENSIONS ARE MEASURED FROM THE TOP OF THE POSITIONER INSERTS.

REVISIONS				
REV. SYM.	E.C.O. NUMBER	DESCRIPTION	BY DATE	APP'D DATE
1		ORIGINAL RELEASE	AAM 7-7-98	DE 7-98
2		REVISED DATAPLATE	JWJ 2-9-99	RRR 2-9-99

**UNCONTROLLED DOCUMENT
WILL NOT BE UPDATED**



RESTRICTED & CONFIDENTIAL		ITEM	PART NO.	QTY.	DESCRIPTION/REMARKS
CONFIDENTIAL PROPERTY OF DANIELS MANUFACTURING CORP. NOT TO BE DISCLOSED TO OTHERS. REPRODUCED OR USED FOR ANY OTHER PURPOSE, EXCEPT AS AUTHORIZED IN WRITING BY DANIELS MANUFACTURING. MUST BE RETURNED TO DANIELS MANUFACTURING CORP. ON COMPLETION OF ORDER OR OTHER PURPOSE FOR WHICH LENT.		DRN. A. MOO-YOUNG	DATE 7-7-98	 DANIELS MANUFACTURING CORP. ORLANDO, FLORIDA CAGE 11851	TITLE TURRET HEAD ENVELOPE DRAWING M22520/1-02
		CHK'D. DE	DATE 7-98		
		APP'D.	DATE		
		APP'D.	DATE		
DO NOT SCALE DRAWING		NOTE: THIS DRAWING IS AN OUTLINE DRAWING OF THE RESPECTIVE DMC PART NUMBER INDICATED. ACTUAL DMC PART NUMBER IS DRAWING NUMBER WITHOUT THE "-ENV" SUFFIX.		WHERE USED:	
		SIZE B	SCALE NTS	CAD P/N TH1A-ENV	SHEET 1 OF 1
		POSTING	DWG. NO. TH1A-ENV	REV. 2	