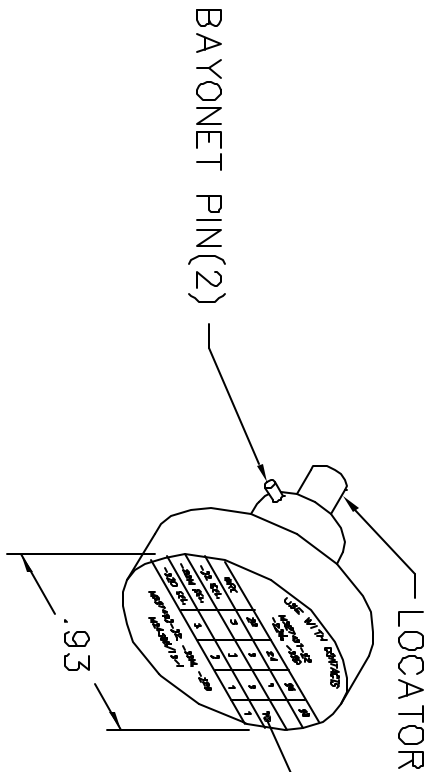
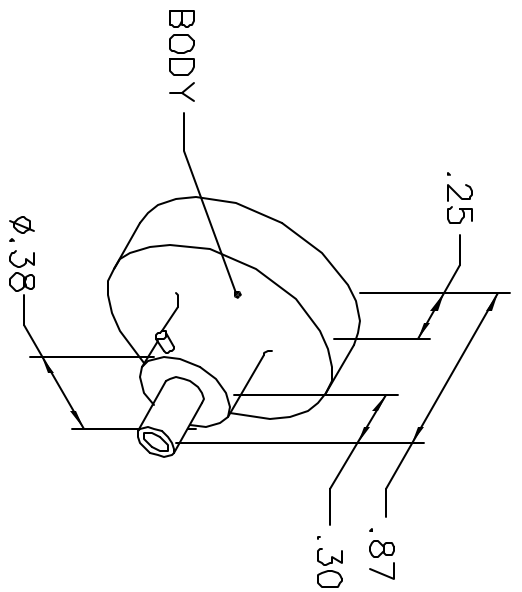


REVISIONS				
REV. SYM.	E.C.O. NUMBER	DESCRIPTION	BY DATE	APP'D DATE
2		CORRECTED MIL. NUMBER	JMU 7/12/05	RRR 7-12-05

**UNCONTROLLED DOCUMENT  
WILL NOT BE UPDATED**



USE WITH CONTACTS

	MS27491-22	22	24	26	28
WIRE	-22M, -22D	3	2	1	
	-22 SEL.	3	2	1	
	-22M SEL.		3	2	1
	-22D SEL.	3	2	1	1

MS27492-22, -22M, -22D  
M24308/12-1


NOTE: FOR USE WITH DANIELS MH860 CRIMP TOOL.

LOCATOR	ADDITIONAL FEATURES
HOLE DIMENSIONS	
Ø.073	
▽.348	

**RESTRICTED & CONFIDENTIAL**

CONFIDENTIAL PROPERTY OF DANIELS MANUFACTURING CORP. NOT TO BE DISCLOSED TO OTHERS, REPRODUCED OR USED FOR ANY OTHER PURPOSE, EXCEPT AS AUTHORIZED IN WRITING BY DANIELS MANUFACTURING. MUST BE RETURNED TO DANIELS MANUFACTURING CORP. ON COMPLETION OF ORDER OR OTHER PURPOSE FOR WHICH LENT.

DO NOT SCALE DRAWING

DRN. E. D.	DATE 6-10-96	 DANIELS MANUFACTURING CORP. ORLANDO, FLORIDA CAGE 11851
CHK'D. D. D.	DATE 6-10-96	
APP'D. DATE	DATE	TITLE <b>ENVELOPE DRAWING</b> POSITIONER (M22520/7-06)
APP'D. DATE	DATE	
NOTE: THIS DRAWING IS AN OUTLINE DRAWING OF THE RESPECTIVE PART NUMBER IS DRAWING NUMBER WITHOUT THE "-ENV" SUFFIX.		WHERE USED: MH860 SIZE SCALE A NTS POSTING
		CAD P/N 86-5-ENV DWG. NO. 86-5-ENV SHEET 1 OF 1 REV. 2