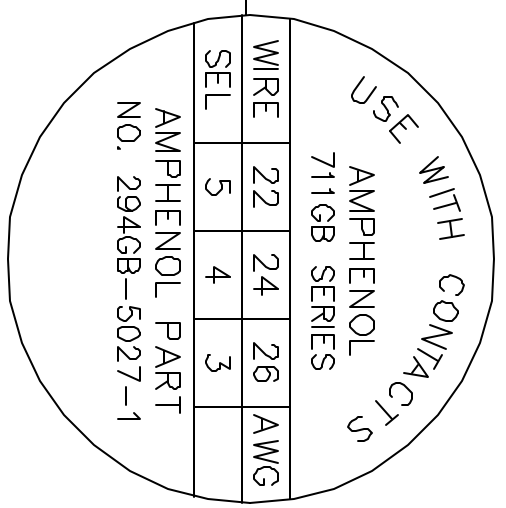
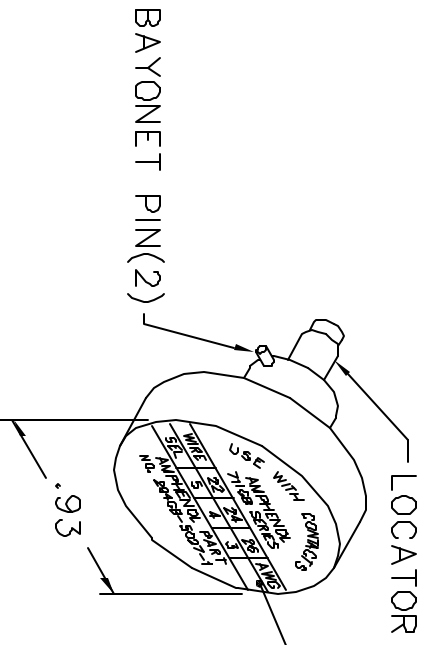
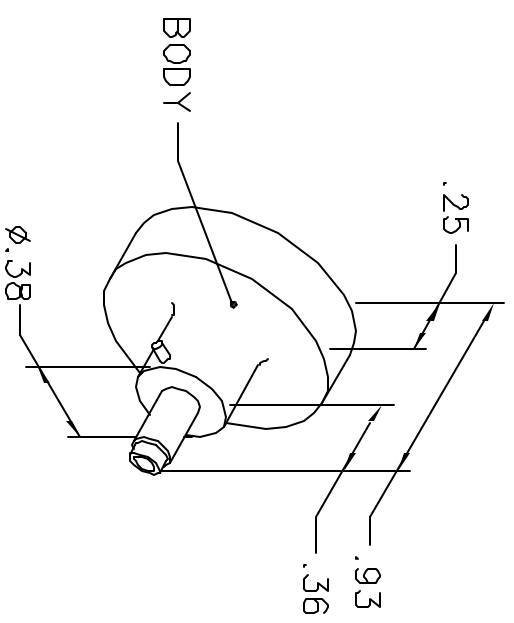


REVISIONS				
REV. SYM.	E.C.O. NUMBER	DESCRIPTION	BY DATE	APP'D DATE
1		ORIGINAL RELEASE	MC 4-5-96	AAM 4-5-96

**UNCONTROLLED DOCUMENT
WILL NOT BE UPDATED**



NOTE: FOR USE WITH DANIELS CRIMP TOOLS
ACCOMMODATING "K" SERIES POSITIONERS

LOCATOR	
HOLE DIMENSIONS	ADDITIONAL FEATURES
ϕ .026 ∇ .370	<input type="checkbox"/> ϕ .043 <input type="checkbox"/> ∇ .303 <input type="checkbox"/> ϕ .052 <input type="checkbox"/> ∇ .047

RESTRICTED & CONFIDENTIAL

CONFIDENTIAL PROPERTY OF DANIELS MANUFACTURING CORP. NOT TO BE DISCLOSED TO OTHERS, REPRODUCED OR USED FOR ANY OTHER PURPOSE, EXCEPT AS AUTHORIZED IN WRITING, BY DANIELS MANUFACTURING. MUST BE RETURNED TO DANIELS MANUFACTURING CORP. ON COMPLETION OF ORDER OR OTHER PURPOSE FOR WHICH LENT.

DO NOT SCALE DRAWING

DRN.	MC	DATE
CHK'D.	AAM	DATE
APP'D.		DATE
APP'D.		DATE



DANIELS MANUFACTURING CORP.
ORLANDO, FLORIDA
CAGE 11851

TITLE: ENVELOPE DRAWING POSITIONER

WHERE USED: AFMB

SIZE	SCALE	CAD P/N	SHEET	OF
A	NTS	K757-2-ENV	1	1

POSTING	P/N	REV.
	K757-2-ENV	1