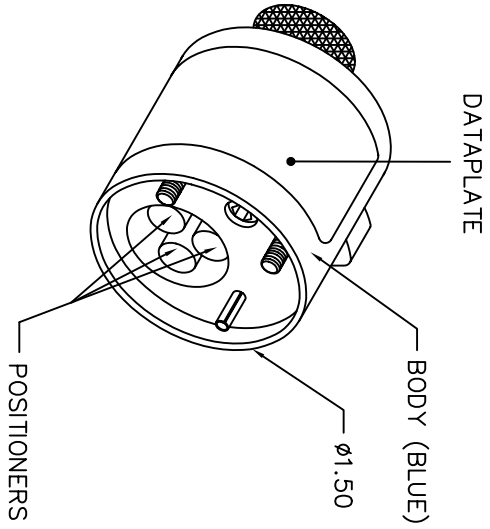


| REVISIONS | | | |
|-----------|---------------|-------------|-------------|
| REV. | E.C.O. NUMBER | DESCRIPTION | BY DATE |
| 1 | | REDRAWN | AAM 4-24-00 |

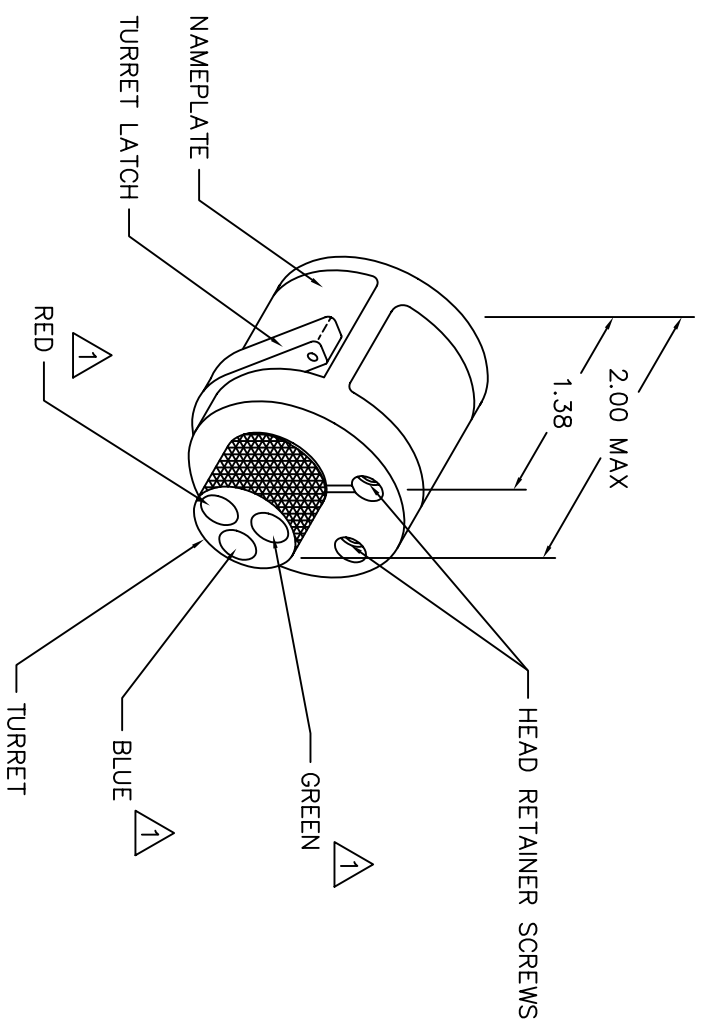
**UNCONTROLLED DOCUMENT
WILL NOT BE UPDATED**

| M39012/ | POSITIONER COLOR | RG 142B/U | RG 213/U | RG 214/U | RG 225/U | RG 393/U | RG 400/U | WIRE SELECTOR NO. |
|------------------|------------------|-----------|----------|----------|----------|----------|----------|-------------------|
| 01-0501, 01-0502 | GREEN | | 8 | 8 | 8 | 8 | 8 | 7 |
| 01-0503 | | | | | | | | |
| 05-0501, 05-0502 | BLUE | | | 8 | 8 | 8 | 8 | 7 |
| 39-0501 | | | | | | | | |
| 05-0503, 39-0503 | | | 7 | | | | | |
| 02-0501, 02-0502 | | | | 8 | 8 | 8 | 8 | |
| 02-0511, 02-0512 | | | | | | | | |
| 02-0503, 02-0513 | RED | | 7 | | | | | 7 |



| POSITIONER COLOR | * HOLE DIMENSIONS | ADDITIONAL FEATURES |
|------------------|-------------------|---------------------|
| GREEN | Ø.125 ±.595 | / |
| BLUE | Ø.125 ±.495 | / |
| RED | Ø.125 ±.563 | / |

* HOLE DEPTH DIMENSIONS ARE MEASURED FROM THE TOP OF THE POSITIONER INSERTS.



1 RANDOM ORDER OF ROTATION IS ACCEPTABLE.

| | | | |
|--|----------|--|---|
| RESTRICTED & CONFIDENTIAL | | COMPROMISED PROPERTY OF DANIELS MANUFACTURING CORP. NOT TO BE DISCLOSED TO OTHERS, REPRODUCED OR USED FOR ANY OTHER PURPOSE, EXCEPT AS AUTHORIZED IN WRITING BY DANIELS MANUFACTURING. MUST BE RETURNED TO DANIELS MANUFACTURING CORP. ON COMPLETION OF ORDER OR OTHER PURPOSE FOR WHICH SENT. | |
| ITEM | PART NO. | QTY. | DESCRIPTION/REMARKS |
| DRWL | JWS | | DANIELS MANUFACTURING CORP. ORLANDO, FLORIDA CAGE 11851 |
| CHK'D. | TS | | |
| APP'D. | AAM | | |
| DATE | DATE | | |
| 3-25-86 | 3-25-86 | | |
| 3-25-86 | 3-25-86 | | |
| NOTE: THIS DRAWING IS AN OUTLINE DRAWING. THE RESPECTIVE DIMENSIONS SHOWN ARE INDICATED. ACTUAL DIM PART NUMBER IS DRAWING NUMBER WITHOUT THE "-ENV" SUFFIX. | | | |
| TITLE | | WHERE USED: | |
| ENVELOPE DRAWING | | AFB | |
| TURRET HEAD (M22520/1-13) | | | |
| SIZE | SCALE | CAD P/N | SHEET |
| B | NTS | TH285-ENV | 1 OF 1 |
| POSTING | | DWG. NO. | REV. |
| | | TH285-ENV | 1 |

DO NOT SCALE DRAWING