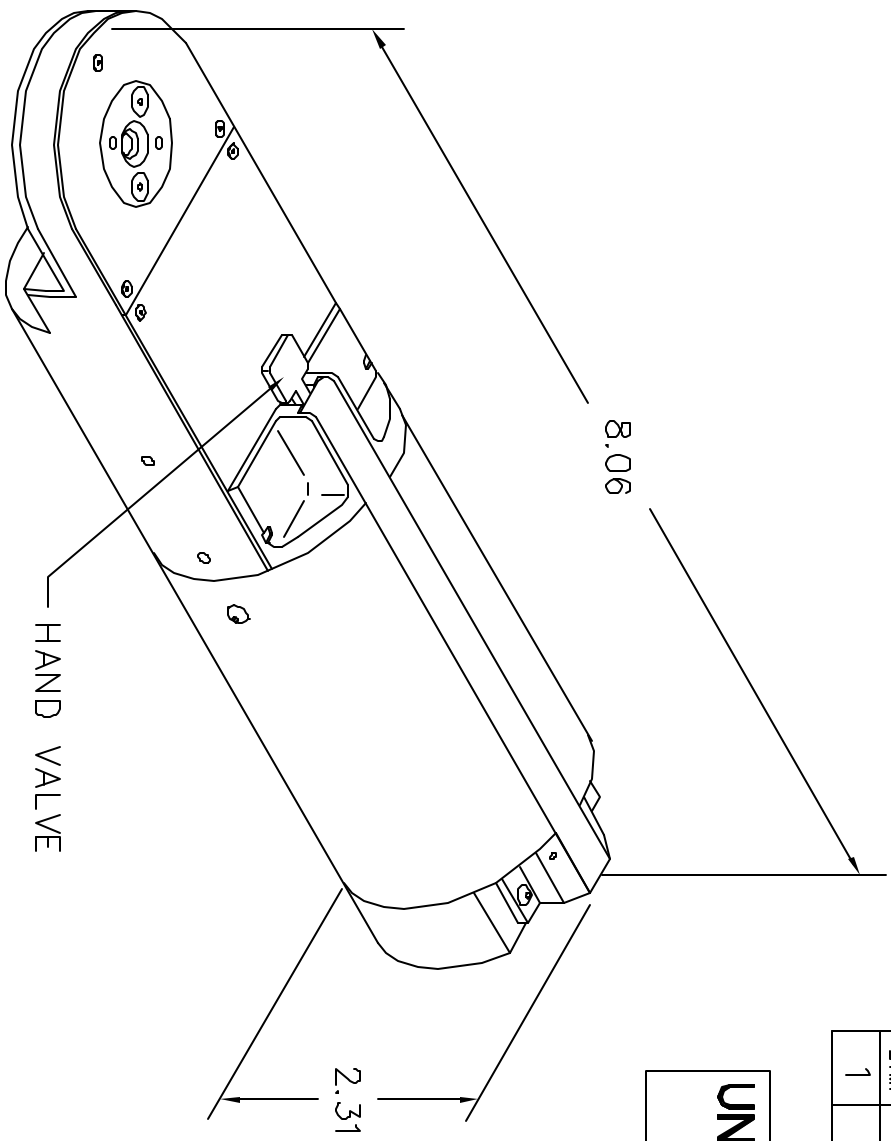


REVISIONS				
REV. SYM.	E.C.O. NUMBER	DESCRIPTION	BY DATE	APP'D DATE
1		ORIGINAL RELEASE	JWJ 12/14/98	RRR 12/14/98

**UNCONTROLLED DOCUMENT  
WILL NOT BE UPDATED**



DIE CLOSURES		
SEL NO	Ø GO	Ø NO-GO
1	.013	.018
2	.016	.021
3	.019	.024
4	.022	.027
5	.026	.031
6	.030	.035
7	.034	.039
8	.039	.044

USE GAGE G125 AT  
SELECTOR SETTING 8

**RESTRICTED & CONFIDENTIAL**

CONFIDENTIAL PROPERTY OF DANIELS MANUFACTURING CORP. NOT TO BE DISCLOSED TO OTHERS, REPRODUCED OR USED FOR ANY OTHER PURPOSE, EXCEPT AS AUTHORIZED IN WRITING BY DANIELS MANUFACTURING. MUST BE RETURNED TO DANIELS MANUFACTURING CORP. ON COMPLETION OF ORDER OR OTHER PURPOSE FOR WHICH LENT.

**DO NOT SCALE DRAWING**

DRN.	J. JOYCE	DATE	12/14/98
CHK'D.	RRR	DATE	12/14/98
APP'D.		DATE	
APP'D.		DATE	

**DMC** DANIELS MANUFACTURING CORP.  
ORLANDO, FLORIDA  
CAGE 11851

TITLE  
**PNEUMATIC CRIMP TOOL  
ENVELOPE DRAWING**

WHERE USED:			
SIZE	SCALE	CAD P/N	SHEET OF
A	NTS	WA22-ENV	1 OF 1
POSTING		P/N	REV.
		WA22-ENV	1