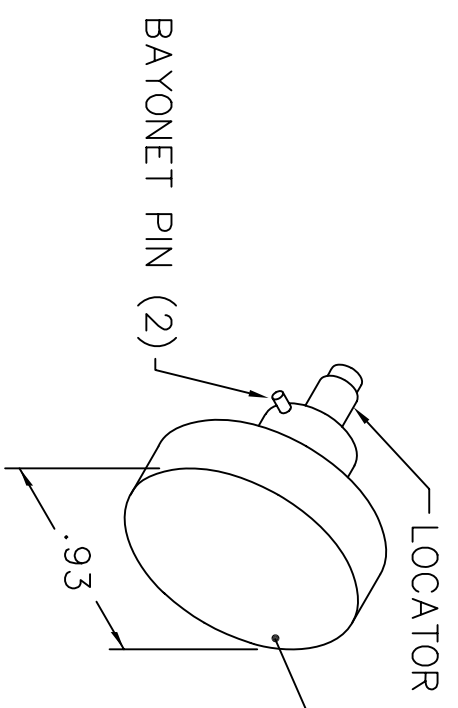
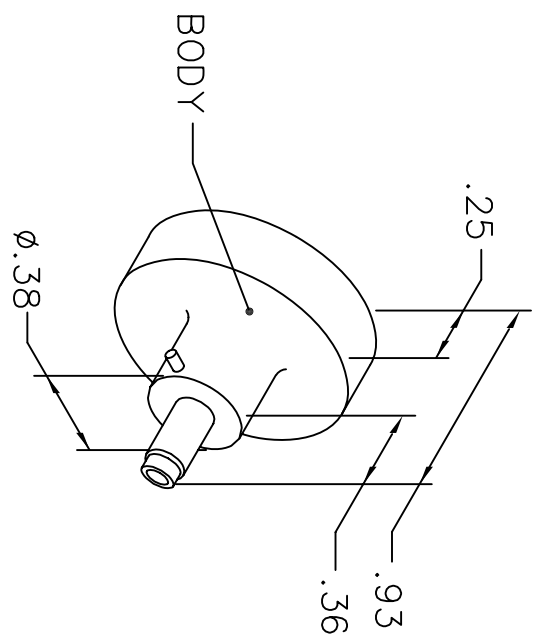


REVISIONS				
REV. SYM.	E.C.O. NUMBER	DESCRIPTION	BY DATE	APP'D DATE
1		ORIGINAL RELEASE	JWJ 1/24/06	RRR 1/24/06

**UNCONTROLLED DOCUMENT
WILL NOT BE UPDATED**



FOR USE
ON CONTACTS
FOR PIC P/N
190812
PIC #110202
DMC #K1301

NOTE: FOR USE WITH DANIELS CRIMP TOOLS
ACCOMMODATING "K" SERIES POSITIONERS

LOCATOR	ADDITIONAL FEATURES
HOLE DIMENSIONS	/
∅.089	/
∇.575	/

RESTRICTED & CONFIDENTIAL

CONFIDENTIAL PROPERTY OF DANIELS MANUFACTURING CORP. NOT TO BE DISCLOSED TO OTHERS, REPRODUCED OR USED FOR ANY OTHER PURPOSE, EXCEPT AS AUTHORIZED IN WRITING BY DANIELS MANUFACTURING. MUST BE RETURNED TO DANIELS MANUFACTURING CORP. ON COMPLETION OF ORDER OR OTHER PURPOSE FOR WHICH LENT.

DO NOT SCALE DRAWING

DRN.	J. JOYCE	DATE	1/24/06
CHK'D.	RRR	DATE	1/24/06
APP'D.		DATE	
APP'D.		DATE	

<p style="text-align: center;">DMC DANIELS MANUFACTURING CORP. ORLANDO, FLORIDA CAGE 11851</p>			
<p style="text-align: center;">TITLE ENVELOPE DRAWING POSITIONER</p>			
<p style="text-align: center;">WHERE USED: AFM8</p>			
SIZE	SCALE	CAD P/N	SHEET OF
A	NTS	K1301-ENV	1 1
POSTING		DMG. NO.	REV.
		K1301-ENV	1

NOTE:
THIS DRAWING IS AN OUTLINE DRAWING OF THE RESPECTIVE DMC PART NUMBER INDICATED. ACTUAL DMC PART NUMBER IS DRAWING NUMBER WITHOUT THE "-ENV" SUFFIX.