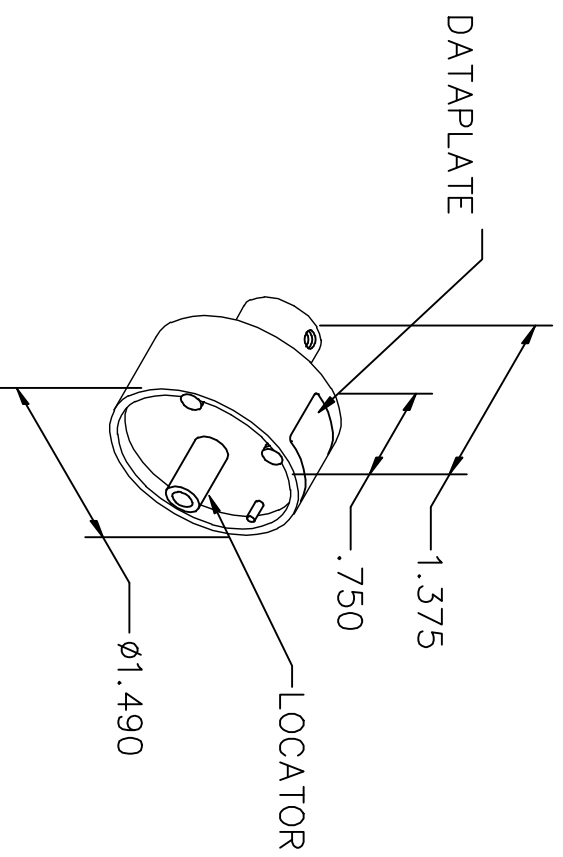


REVISIONS				
REV. SYM.	E.C.O. NUMBER	DESCRIPTION	BY DATE	APP'D DATE
1		ORIGINAL RELEASE	TD 9-30-09	

**UNCONTROLLED DOCUMENT  
WILL NOT BE UPDATED**



AIR LB CONTACTS	12	10	8	WIRE SIZE
001104-630	2	3		SELECTOR NUMBER
001104-620		5	6	

USE WITH M300BT

DATAPLATE

LOCATOR	
HOLE DIMENSIONS	ADDITIONAL FEATURES
∅.213 ▽.260	L ∅.257 ▽.108

**RESTRICTED & CONFIDENTIAL**

CONFIDENTIAL PROPERTY OF DANIELS MANUFACTURING CORP. NOT TO BE DISCLOSED TO OTHERS, REPRODUCED OR USED FOR ANY OTHER PURPOSE, EXCEPT AS AUTHORIZED IN WRITING BY DANIELS MANUFACTURING. MUST BE RETURNED TO DANIELS MANUFACTURING CORP. ON COMPLETION OF ORDER OR OTHER PURPOSE FOR WHICH LENT.

DO NOT SCALE DRAWING

DRN. <i>Jenny Sitworth</i>	DATE 9-30-09	TITLE	
CHK'D.	DATE	ENVELOPE DRAWING SINGLE POSITION HEAD	
APP'D.	DATE	WHERE USED: M300BT	
APP'D.	DATE	SIZE A	SCALE NONE
NOTE: THIS DRAWING IS AN OUTLINE DRAWING OF THE RESPECTIVE DMG PART NUMBER INDICATED. ACTUAL DMG PART NUMBER IS DRAWING NUMBER WITHOUT THE "-ENV" SUFFIX.		CAD P/N TP986-ENV	SHEET 1 OF 1
		DWG. NO. TP986-ENV	REV. 1



DANIELS MANUFACTURING CORP.  
ORLANDO, FLORIDA  
CASE 11851