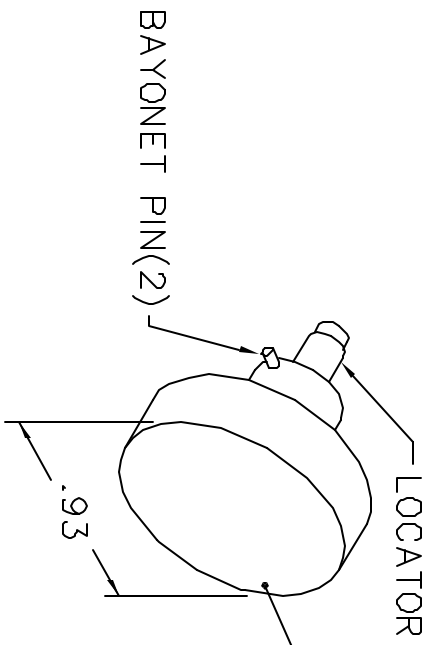
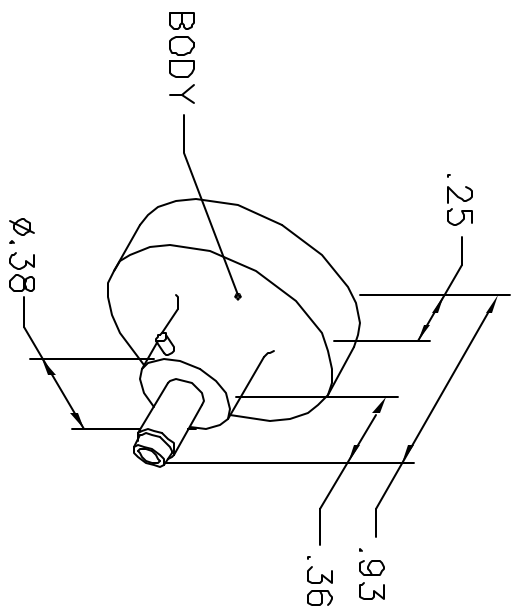


REVISIONS				
REV. SYM.	E.C.D. NUMBER	DESCRIPTION	BY DATE	APP'D DATE
1		ORIGINAL RELEASE	AAM 5-14-04	RRR 5-14-04

**UNCONTROLLED DOCUMENT
WILL NOT BE UPDATED**



DATA PLATE

DSM DEUTSCH			
WIRE	22	24	26
SEL.	4	3	3
2202-17-0101 SOC			
WIRE	26	28	30
SEL.	3	2	2
2203-9-0101 SOC STK			

NOTE: FOR USE WITH DANIELS CRIMP TOOLS
ACCOMMODATING "K" SERIES POSITIONERS

LOCATOR	
HOLE DIMENSIONS	ADDITIONAL FEATURES
Ø.060 ▽.345	


RESTRICTED & CONFIDENTIAL

CONFIDENTIAL PROPERTY OF DANIELS MANUFACTURING CORP. NOT TO BE DISCLOSED TO OTHERS, REPRODUCED OR USED FOR ANY OTHER PURPOSE, EXCEPT AS AUTHORIZED IN WRITING BY DANIELS MANUFACTURING. MUST BE RETURNED TO DANIELS MANUFACTURING CORP. ON COMPLETION OF ORDER OR OTHER PURPOSE FOR WHICH LENT.

DO NOT SCALE DRAWING

DRN. A. MOO-YOUNG	DATE 5-14-04
CHKD. RRR	DATE 5-14-04
APP'D.	DATE
APP'D.	DATE

NOTE: THIS DRAWING IS AN OUTLINE DRAWING OF THE RESPECTIVE DMC PART NUMBER INDICATED. ACTUAL DMC PART NUMBER IS DRAWING NUMBER WITHOUT THE "-ENV" SUFFIX.



 DANIELS MANUFACTURING CORP.
 ORLANDO, FLORIDA
 CAGE 11851

**ENVELOPE DRAWING
POSITIONER**

WHERE USED: AFV8	CAD P/N	SHEET	OF
SIZE A	K5-ENV	1	1
POSTING	DWG NO. K5-ENV	REV.	1