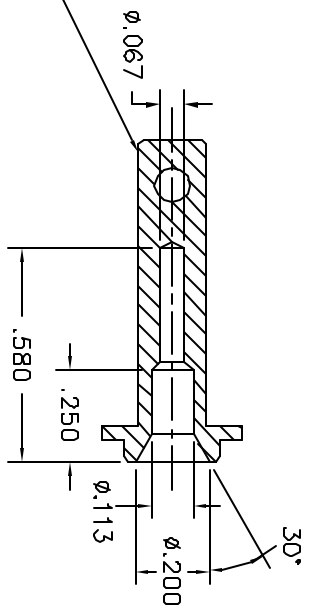
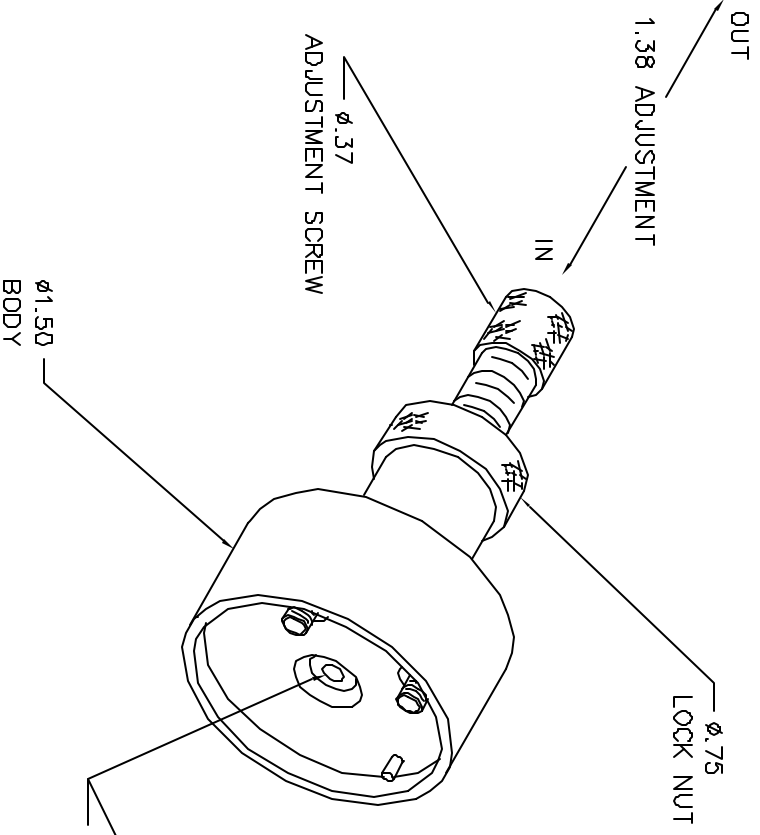


REVISIONS				
REV. SYM.	E.C.O. NUMBER	DESCRIPTION	BY DATE	APP'D DATE
1		ORIGINAL RELEASE	JSTRATION 8-24-81	RRR 8-24-81
2		ADDED ADJ & DIA DIMS.	AAW 2-18-00	RRR 2-18-00
3		REMOVED UNNECESSARY LOCATION HOLE	AAW 3-28-02	RRR 3-28-02



**UNCONTROLLED DOCUMENT
WILL NOT BE UPDATED**

ITEM	PART NO.	QTY.	DESCRIPTION/REMARKS
1	J STRAITON		DANIELS MANUFACTURING CORP.
2	PD		DANIELS MANUFACTURING CORP.
3			DANIELS MANUFACTURING CORP.

DRN.	DATE	CHKD.	DATE	APPLD.	DATE
J STRAITON	8-24-81	PD	8-24-81		

TITLE		UNIVERSAL HEAD	
WHERE USED		AFB	
SCALE		CAD P/N	
B	NTS	UH2-5-ENV	SHEET 1
POSTING		P/N	REV.
		UH2-5-ENV	3

RESTRICTED & CONFIDENTIAL
 CONFIDENTIAL PROPERTY OF DANIELS MANUFACTURING CORP. NOT TO BE DISCLOSED TO OTHERS, REPRODUCED OR USED FOR ANY OTHER PURPOSE, EXCEPT AS AUTHORIZED IN WRITING BY DANIELS MANUFACTURING CORP. MUST BE RETURNED TO DANIELS MANUFACTURING CORP. ON COMPLETION OF ORDER OR OTHER PURPOSE FOR WHICH LENT.

DO NOT SCALE DRAWING