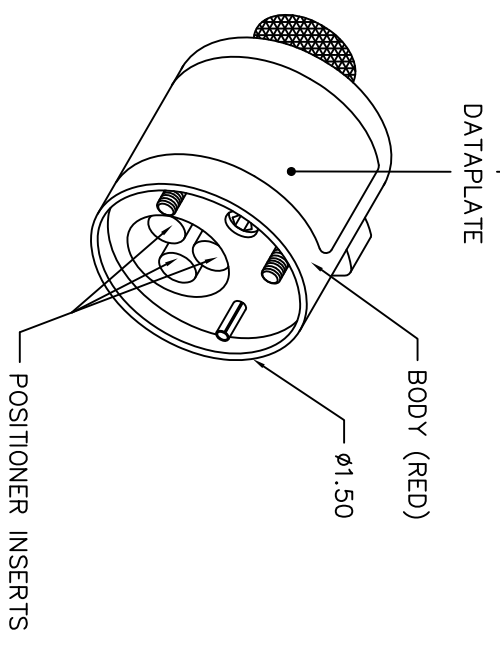


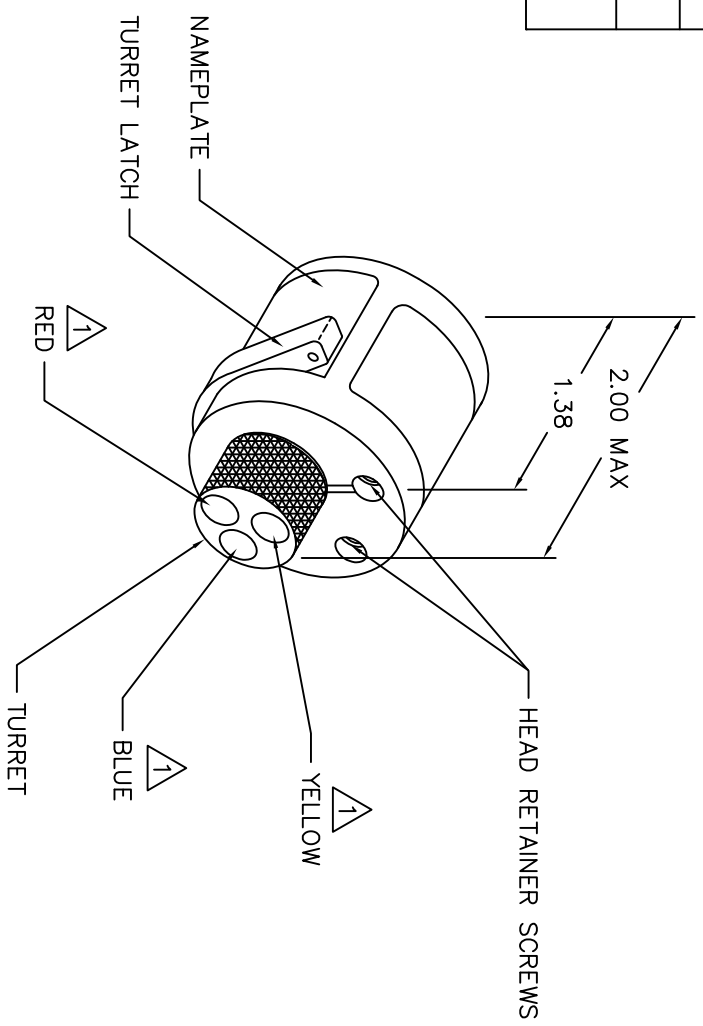
REVISIONS				
REV.	E.C.O. NUMBER	DESCRIPTION	BY DATE	APP'D DATE
1		ORIGINAL RELEASE	JMD 7-2-07	RRR 7-2-07

**UNCONTROLLED DOCUMENT
WILL NOT BE UPDATED**

LINK CONTACTS	COLOR CODE
16-LKP16 PIN	RED
16-LKP16 SOCKET	BLUE
12-LKP12 PIN & SOCKET	YELLOW



POSITIONER COLOR	HOLE DIMENSIONS	ADDITIONAL FEATURES
RED	Ø.067 ±.561	Ø.133 ±.22
BLUE	Ø.136 ±.746	
YELLOW	Ø.201 ±.757	



1 RANDOM ORDER OF ROTATION IS ACCEPTABLE.

RESTRICTED & CONFIDENTIAL
 CONFIDENTIAL PROPERTY OF DANIELS MANUFACTURING CORP. NOT TO BE REPRODUCED OR USED FOR ANY OTHER PURPOSE EXCEPT AS AUTHORIZED IN WRITING BY DANIELS MANUFACTURING. MUST BE RETURNED TO DANIELS MANUFACTURING CORP. ON COMPLETION OF ORDER OR OTHER PURPOSE FOR WHICH LENT.

DO NOT SCALE DRAWING

ITEM	PART NO.	QTY.	DESCRIPTION/REMARKS
DRW. J. JOYCE	7/2/07		DANIELS MANUFACTURING CORP. ORLANDO, FLORIDA CAGE 11851
CHK'D. RRR	7/2/07		
APP'D.	DATE		
NOTE:	THIS DRAWING IS AN OUTLINE DRAWING OF THE RESPECTIVE INDICATED PART. ACTUAL PART NUMBER IS DRAWING NUMBER WITHOUT THE "-ENV" SUFFIX.		
TITLE		WHERE USED:	CAD P/N
ENVELOPE DRAWING TURRET HEAD		M300BT	TH654-ENV
SCALE	SIZE	POSTING	SHEET 1 OF 1
B	NTS		REV. 1
DWG NO.	TH654-ENV		

* HOLE AND COUNTERBORE DEPTHS ARE MEASURED FROM TOP OF POSITIONER INSERTS.