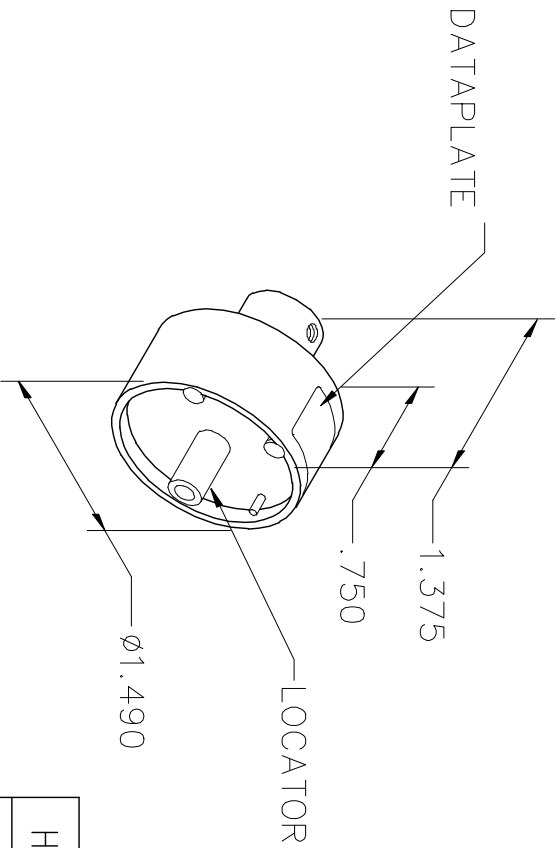


REVISIONS				
REV. SYM.	E.C.O. NUMBER	DESCRIPTION	BY DATE DATE	APP'D DATE
3	14669	HC2243 WAS 4,4,4	AAM 9-19-95	RRR 9-19-95

**UNCONTROLLED DOCUMENT
WILL NOT BE UPDATED**



HELLERMAN CONTACT	16	18	20	22	24	26	28	30	WIRE SIZE
HC2243						3	3	2	
HC2245/H204				5	5	4			SEL. NO.
HC2246/H20				5	4	3			
HC2247/H16	7	6	6						

(3)

DATAPLATE

LOCATOR	
HOLE DIMENSIONS	ADDITIONAL FEATURES
∅ .110 ▽ .441	

RESTRICTED & CONFIDENTIAL

CONFIDENTIAL PROPERTY OF DANIELS MANUFACTURING CORP. NOT TO BE DISCLOSED TO OTHERS, REPRODUCED OR USED FOR ANY OTHER PURPOSE, EXCEPT AS AUTHORIZED IN WRITING BY DANIELS MANUFACTURING. MUST BE RETURNED TO DANIELS MANUFACTURING CORP. ON COMPLETION OF ORDER OR OTHER PURPOSE FOR WHICH LENT.

DO NOT SCALE DRAWING

DRN. A.	MOO-YOUNG	DATE
CHK'D.	RRR	9-19-95
APP'D.		DATE
APP'D.		DATE

NOTE: THIS DRAWING IS AN OUTLINE DRAWING OF THE RESPECTIVE DMC PART NUMBER INDICATED. ACTUAL DMC PART NUMBER IS DRAWING NUMBER WITHOUT THE "-ENV" SUFFIX.

WHERE USED: AF8

DANIELS MANUFACTURING CORP.
ORLANDO, FLORIDA
CAGE 11851

TITLE: ENVELOPE DRAWING
SINGLE POSITION HEAD

SIZE	SCALE	CAD P/N	SHEET	OF
A	NONE	TP669-ENV	1	1

DWG. NO. TP669-ENV

REV.	NO.
3	3