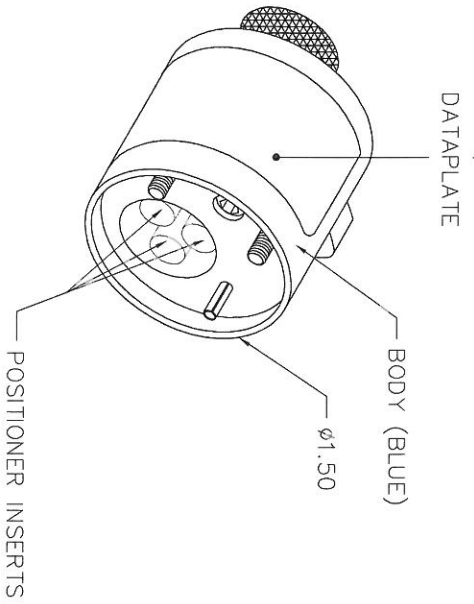


REVISIONS			
REV. SYM.	E.C.O. NUMBER	DESCRIPTION	BY DATE
1		ORIGINAL RELEASE	TD 4-24-08

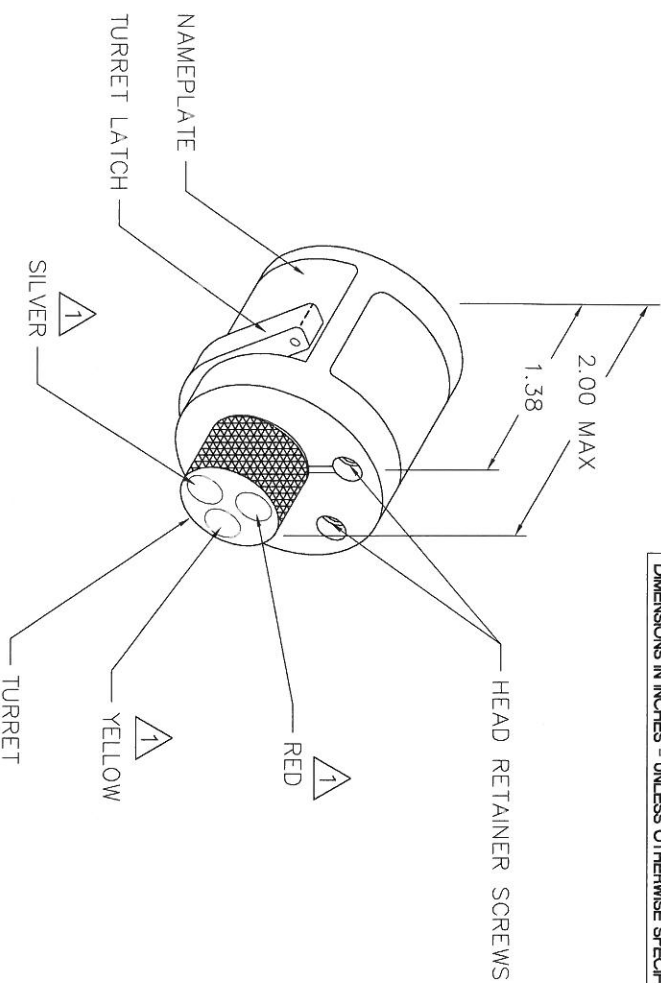
**UNCONTROLLED DOCUMENT
WILL NOT BE UPDATED**
DIMENSIONS IN INCHES - UNLESS OTHERWISE SPECIFIED

SOURIAU CONTACT	COLOR CODE	24	22	20	18	14	12	WIRE SIZE
8859-9100	RED	2	3	4	5			
8859-9114	YELLOW					8	8	SEL NO



POSITIONER COLOR	HOLE DIMENSIONS	ADDITIONAL FEATURES
RED	$\phi .083$ \pm THRU	$\perp \phi .126$ $\pm .039$
YELLOW	$\phi .166$ \pm THRU	$\perp \phi .196$ $\pm .059$
SILVER		

* HOLE AND COUNTERBORE DEPTHS ARE MEASURED FROM TOP OF POSITIONER INSERTS.



1 RANDOM ORDER OF ROTATION IS ACCEPTABLE.

ITEM	PART NO.	QTY.	DESCRIPTION/REMARKS
1	TH547-ENV		ENVELOPE DRAWING TURRET HEAD

RESTRICTED & CONFIDENTIAL
CONFERENTIAL PROPERTY OF DANIELS MANUFACTURING CORP. NOT TO BE DISCLOSED TO OTHERS, REPRODUCED OR USED FOR ANY OTHER PURPOSE, EXCEPT AS AUTHORIZED IN WRITING BY DANIELS MANUFACTURING. MUST BE RETURNED TO DANIELS MANUFACTURING UPON COMPLETION OF ORDER FOR OTHER PURPOSE FOR WHICH LENT.

DO NOT SCALE DRAWING

DATE	DATE	DATE	DATE
1-21-08			
CHK'D: Gary Silveo	APP'D:	DATE:	DATE:

NOTE: THIS DRAWING IS AN OUTLINE DRAWING OF A PART. DIMENSIONS INDICATED ARE ACTUAL. DIM PART NUMBER IS CAD PART NUMBER WITHOUT THE "-ENV" SUFFIX.

SIZE	SCALE	CAD P/N	SHEET
B	NTS	TH547-ENV	1 OF 1
POSTING		DWG NO.	REV.
		TH547	1