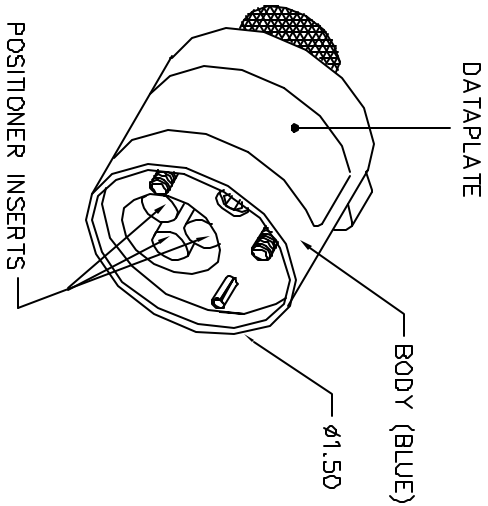
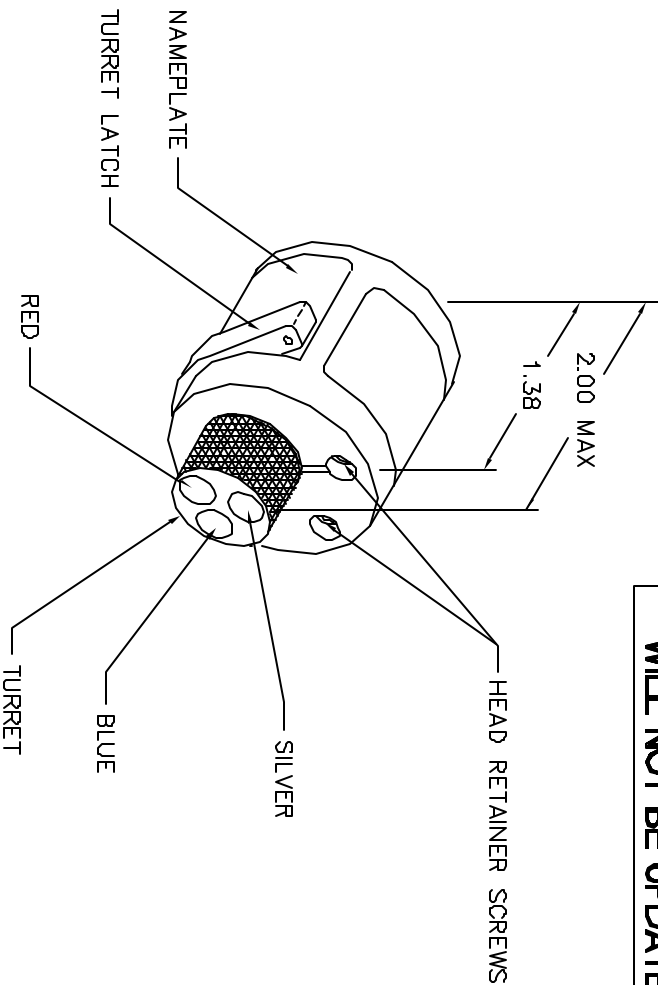


SOURIAU CONTACTS	COLOR CODE	RG179B/U	WIRE SIZE
8522-1-001	BLUE	8	24
8522-2-001	RED		24



POSITIONNER COLOR	HOLE DIA.	ADDITIONAL FEATURES
RED	$\phi 1.109$ $\pm .583$	$\square \phi .125$ $\pm .11$ $\phi .030$ PIN .005 LONG
BLUE	$\phi .128$ $\pm .546$	$\phi .060$ PIN .015 LONG
SILVER	BLANK	BLANK

HOLE DEPTHS ARE MEASURED FROM TOP OF POSITIONNER INSERTS.



REV	REV NUMBER	ESCAL	DESCRIPTION	BY	DATE	APPR	DATE
1			ORIGINAL RELEASE		12/23/86		12/26
2			CHANGE HOLE DEPTHS ADD'D IN DIMENSIONS		10-7-02		10-7-02

**UNCONTROLLED DOCUMENT  
WILL NOT BE UPDATED**

RESTRICTED & CONFIDENTIAL		MATERIAL		ITEM		PART NO.		QTY.		DESCRIPTION/REMARKS	
COMMERCIAL PROPERTY OF DANIELS MANUFACTURING CORP. NOT TO BE REPRODUCED OR USED FOR ANY OTHER PURPOSE EXCEPT AS AUTHORIZED IN WRITING BY DANIELS MANUFACTURING. MUST BE RETURNED TO DANIELS MANUFACTURING CORP. IN COMPLETE ORDER WHICH EVENT.		HEAT TREAT		DWS E. CAPERS		DATE 12/23/86				DANIELS MANUFACTURING CORP. ORLANDO, FLORIDA CAGE 11851	
DO NOT SCALE DRAWING		FINISH		CHK'D. DE		DATE 12/88				TURRET HEAD ENVELOPE DRAWING	
				APPR'D.		DATE				WHERE USED: AFB	
				APPR'D.		DATE				SCALE: 1 OF 1	
				DATE						REV: 2	
				DATE						P/N: TH398S-ENV	
				DATE						REV: 2	