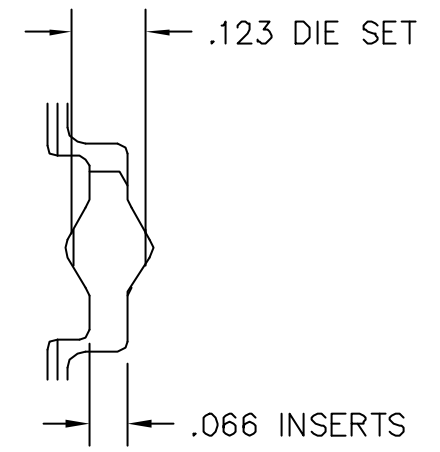
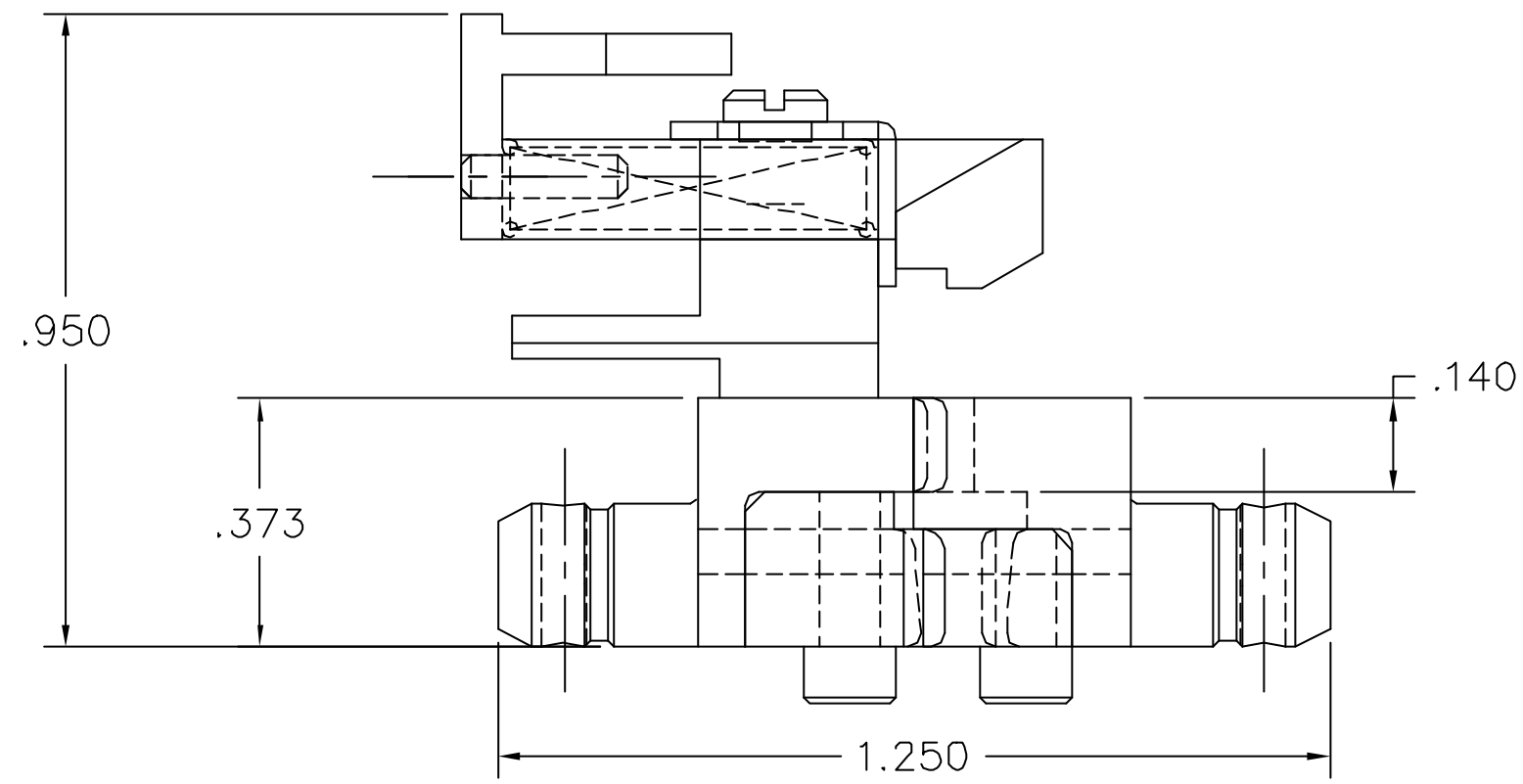
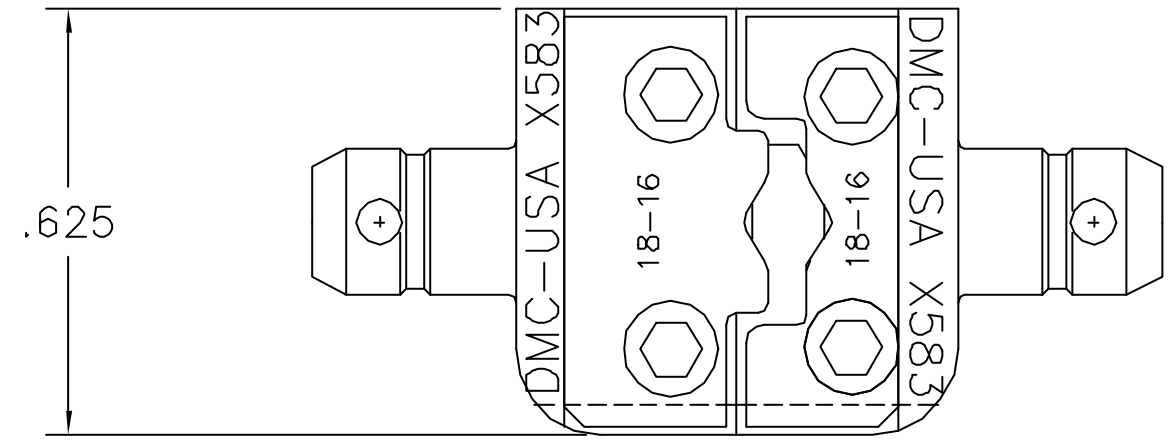


REVISIONS				
REV. SYM.	E.C.D. NUMBER	DESCRIPTION	BY DATE	APP'D DATE
1		ORIGINAL RELEASE	JWJ 3/10/00	RRR 3/10/00




GAGING DIM'S



**UNCONTROLLED DOCUMENT
WILL NOT BE UPDATED**

1. FOR BRITISH AMP STRATO-THERM 18-16 TERMINALS (ORANGE).

NOTES:

RESTRICTED & CONFIDENTIAL CONFIDENTIAL PROPERTY OF DANIELS MANUFACTURING CORP. NOT TO BE DISCLOSED TO OTHERS, REPRODUCED OR USED FOR ANY OTHER PURPOSE, EXCEPT AS AUTHORIZED IN WRITING BY DANIELS MANUFACTURING. MUST BE RETURNED TO DANIELS MANUFACTURING CORP. ON COMPLETION OF ORDER OR OTHER PURPOSE FOR WHICH LENT.	MATERIAL	ITEM	PART NO.	QTY.	DESCRIPTION/REMARKS	
	HEAT TREAT	DRN.	J. JOYCE	DATE	3/10/00	 DANIELS MANUFACTURING CORP. ORLANDO, FLORIDA CAGE 11851
		FINISH	CHK'D.	RRR	DATE	
	DO NOT SCALE DRAWING		APP'D.		DATE	TITLE
					DIE SET ENVELOPE DRAWING	
		NOTE:		WHERE USED:		
		THIS DRAWING IS AN OUTLINE DRAWING OF THE RESPECTIVE DMC PART NUMBER INDICATED. ACTUAL DMC PART NUMBER IS DRAWING NUMBER WITHOUT THE "-ENV" SUFFIX.		SIZE	B	
				SCALE	NTS	
				CAD P/N	X583-ENV	
				SHEET	1 OF 1	
				DWG. NO.	X583-ENV	
				REV.	1	