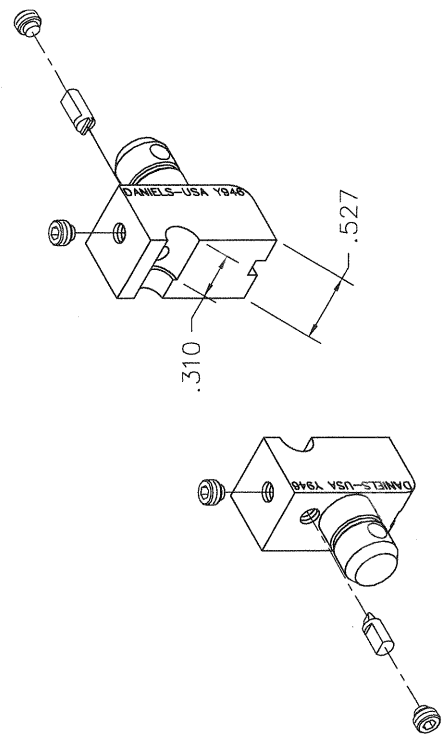
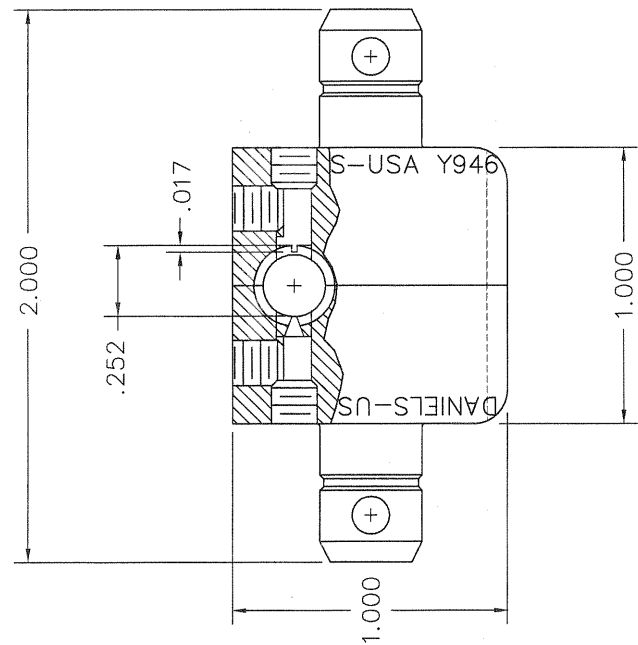



REV. SYM.		E.C.O. NUMBER		DESCRIPTION		BY DATE		APPR'D DATE	
1				ORIGINAL RELEASE		10-6-98			

**UNCONTROLLED DOCUMENT
WILL NOT BE UPDATED**
DIMENSIONS IN INCHES - UNLESS OTHERWISE SPECIFIED



ISOMETRIC VIEW

ITEM		PART NO.		QTY.		DESCRIPTION/REMARKS	
DRN.	J. JOYCE	DATE	10-6-98			 DANIELS MANUFACTURING CORP. ORLANDO, FLORIDA CAGE 11857	
CHK'D.		DATE				TITLE	
APP'D.		DATE				DIE SET	
APP'D.		DATE				ENVELOPE DRAWING	
MATERIAL		HEAT TREAT		FINISH		WHERE USED:	
RESTRICTED & CONFIDENTIAL		CONFIDENTIAL PROPERTY OF DANIELS MANUFACTURING CORP. NOT TO BE DISCLOSED TO OTHERS, REPRODUCED OR USED FOR ANY OTHER PURPOSE, EXCEPT AS AUTHORIZED IN WRITING BY DANIELS MANUFACTURING CORP. DANIELS MANUFACTURING CORP. ON COMPLETION OF ORDER OR OTHER PURPOSE FOR WHICH LENT.		SIZE		SCALE	
		THIS DRAWING IS AN OUTLINE DRAWING OF THE RESPECTIVE DMC PART NUMBER INDICATED. ACTUAL DMC PART NUMBER IS DRAWING NUMBER WITHOUT THE "-ENV" SUFFIX.		B		NTS	
				POSTING		CAD P/N	
						Y946-ENV	
						P/N	
						Y946-ENV	
						SHEET 1 OF 1	
						REV. 1	

1. PROJECT 4379: AB TWINAX PIN AND SOCKET CONTACTS.

NOTES: