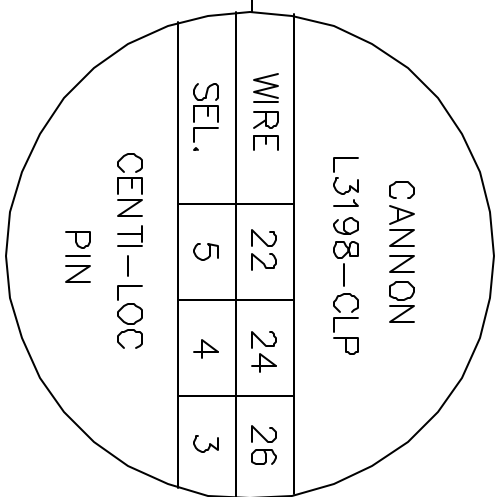
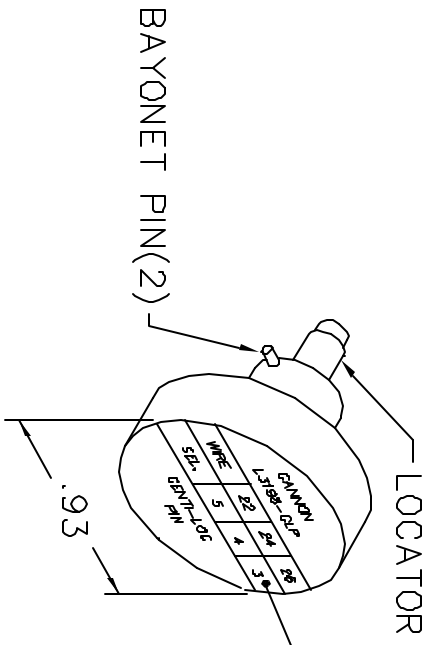
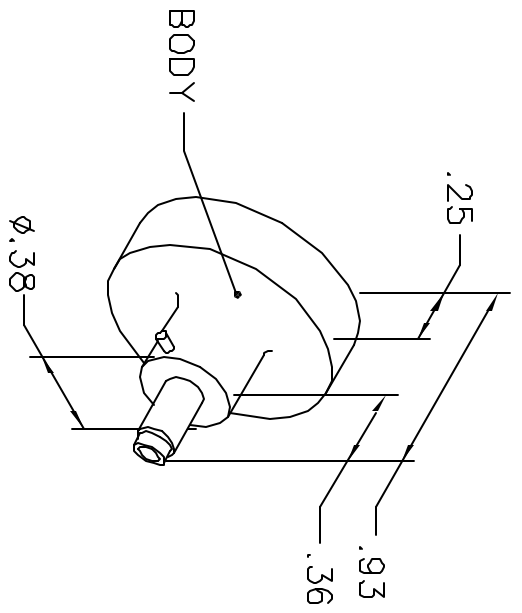


REVISIONS				
REV. SYM.	E.C.O. NUMBER	DESCRIPTION	BY DATE	APP'D DATE
2		REDRAWN	AAM 4-3-00	RRR 4-3-00

**UNCONTROLLED DOCUMENT
WILL NOT BE UPDATED**



NOTE: FOR USE WITH DANIELS CRIMP TOOL, AFM8.

LOCATOR	ADDITIONAL FEATURES
HOLE DIMENSIONS	∅.041
	∅.320
	∅.305

RESTRICTED & CONFIDENTIAL

CONFIDENTIAL PROPERTY OF DANIELS MANUFACTURING CORP. NOT TO BE DISCLOSED TO OTHERS, REPRODUCED OR USED FOR ANY OTHER PURPOSE, EXCEPT AS AUTHORIZED IN WRITING BY DANIELS MANUFACTURING. MUST BE RETURNED TO DANIELS MANUFACTURING CORP. ON COMPLETION OF ORDER OR OTHER PURPOSE FOR WHICH LENT.

DO NOT SCALE DRAWING

DRN.	DUNG CAO	DATE	9-18-95
CHK'D.	DD	DATE	9-18-95
APP'D.		DATE	
APP'D.		DATE	
DANIELS MANUFACTURING CORP. ORLANDO, FLORIDA CAGE 11851			
TITLE		ENVELOPE DRAWING POSITIONER	
WHERE USED: AFMB		GAD P/N	K154-ENV
SIZE	SCALE	SHEET	OF
A	NTS	1	1
POSTING	P/N	K154-ENV	
		REV.	2