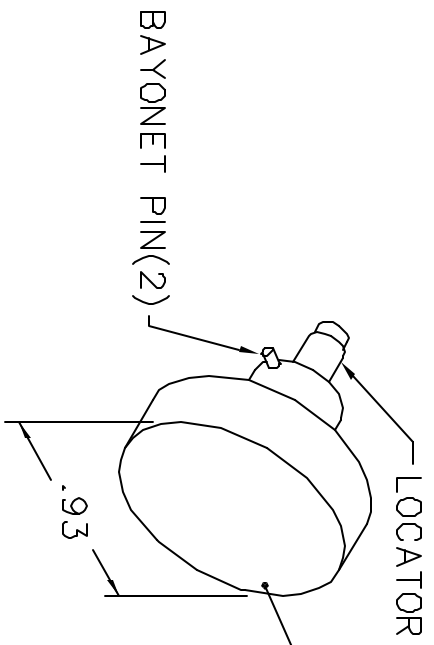
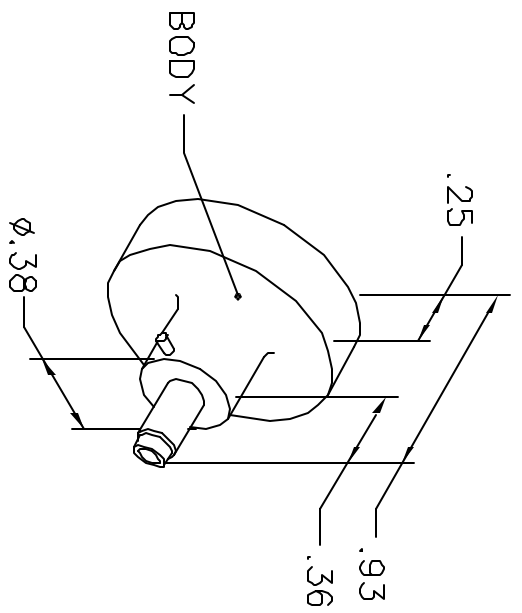


REVISIONS				
REV. SYM.	E.C.D. NUMBER	DESCRIPTION	BY DATE	APP'D DATE
1		ORIGINAL RELEASE	TS 5-27-88	DH 5-27-88
2		ADDED 030-2464-014	K. KOONS 6-14-04	RRR 6-14-04

**UNCONTROLLED DOCUMENT  
WILL NOT BE UPDATED**



CANNON					
WIRE	20	22	24	26	28 30
20 P&S SEL.	7	6	5	5	
20-26 P&S SEL.		3	7	6	5

030-2464-014  
L3198-20HDL  
REV. A

NOTE: FOR USE WITH DANIELS CRIMP TOOLS  
ACCOMMODATING "K" SERIES POSITIONERS

LOCATOR	
HOLE DIMENSIONS	ADDITIONAL FEATURES
$\phi .067$ $\nabla .58$ MIN.	$\perp \phi .093$ $\nabla .130$

**RESTRICTED & CONFIDENTIAL**

CONFIDENTIAL PROPERTY OF DANIELS MANUFACTURING CORP. NOT TO BE DISCLOSED TO OTHERS. REPRODUCED OR USED FOR ANY OTHER PURPOSE, EXCEPT AS AUTHORIZED IN WRITING BY DANIELS MANUFACTURING. MUST BE RETURNED TO DANIELS MANUFACTURING CORP. ON COMPLETION OF ORDER OR OTHER PURPOSE FOR WHICH LENT.

DO NOT SCALE DRAWING

DRN. T. STANFILL	DATE 5-27-88	 DANIELS MANUFACTURING CORP. ORLANDO, FLORIDA CAGE 11851	TITLE ENVELOPE DRAWING POSITIONER	WHERE USED: AMB	SIZE SCALE A NTS	CAD P/N K155-ENV	SHEET 1 OF 1	REV. 2
CHKD. DH	DATE 5-27-88							
APP'D. AAM	DATE 5-27-88	NOTE: THIS DRAWING IS AN OUTLINE DRAWING OF THE RESPECTIVE DMC PART NUMBER INDICATED. ACTUAL DMC PART NUMBER IS DRAWING NUMBER WITHOUT THE "-ENV" SUFFIX						
THIS DRAWING IS AN OUTLINE DRAWING OF THE RESPECTIVE DMC PART NUMBER INDICATED. ACTUAL DMC PART NUMBER IS DRAWING NUMBER WITHOUT THE "-ENV" SUFFIX		POSTING		DWG. NO. K155-ENV		REV. 2		