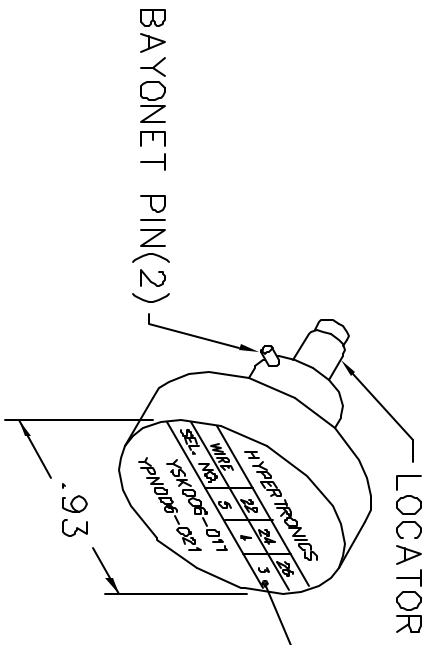
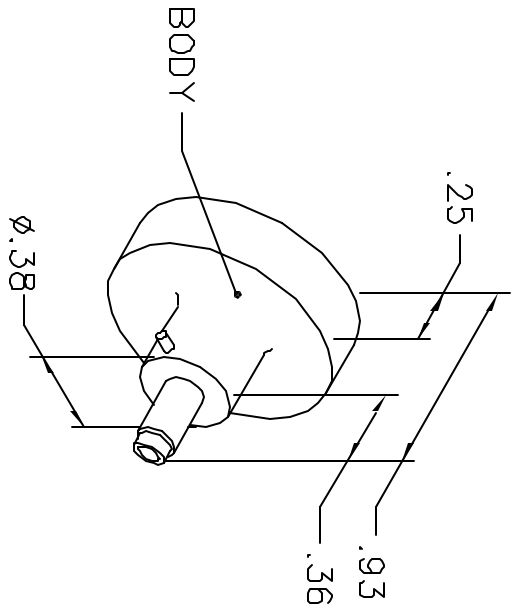


REVISIONS				
REV. SYM.	E.C.O. NUMBER	DESCRIPTION	BY DATE	APP'D DATE
2		REDRAWN	AAM 1-5-00	RRR 1-8-00

**UNCONTROLLED DOCUMENT
WILL NOT BE UPDATED**



HYPERTRONICS			
WIRE	22	24	26
SEL. NO.	5	4	3
YSK006-011		YPN006-021	

NOTE: FOR USE WITH DANIELS CRIMP TOOLS
ACCOMMODATING "K" SERIES POSITIONERS

LOCATOR	
HOLE DIMENSIONS	ADDITIONAL FEATURES
$\phi .031$	<input type="checkbox"/> $\phi .104$
$\nabla .580$ MIN.	<input type="checkbox"/> $\nabla .305$
	<input type="checkbox"/> $\phi .076$
	<input type="checkbox"/> $\nabla .360$

RESTRICTED & CONFIDENTIAL

CONFIDENTIAL PROPERTY OF DANIELS MANUFACTURING CORP. NOT TO BE DISCLOSED TO OTHERS, REPRODUCED OR USED FOR ANY OTHER PURPOSE, EXCEPT AS AUTHORIZED IN WRITING BY DANIELS MANUFACTURING. MUST BE RETURNED TO DANIELS MANUFACTURING CORP. ON COMPLETION OF ORDER OR OTHER PURPOSE FOR WHICH LENT.

DO NOT SCALE DRAWING

DRN.	JS	DATE	4-16-91
CHK'D.	PD	DATE	4-16-91
APP'D.		DATE	
APP'D.		DATE	



DANIELS MANUFACTURING CORP.
ORLANDO, FLORIDA
CAGE 11851

TITLE: ENVELOPE DRAWING POSITIONER

WHERE USED: AFMB

SIZE	SCALE	CAD P/N	SHEET	OF
A	NTS	K547-ENV	1	1

POSTING	DWG. NO.	REV.
	K547-ENV	2