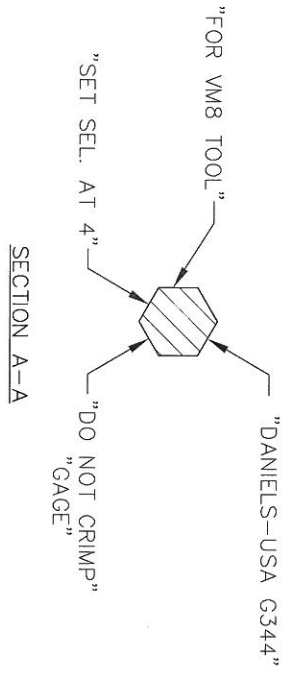
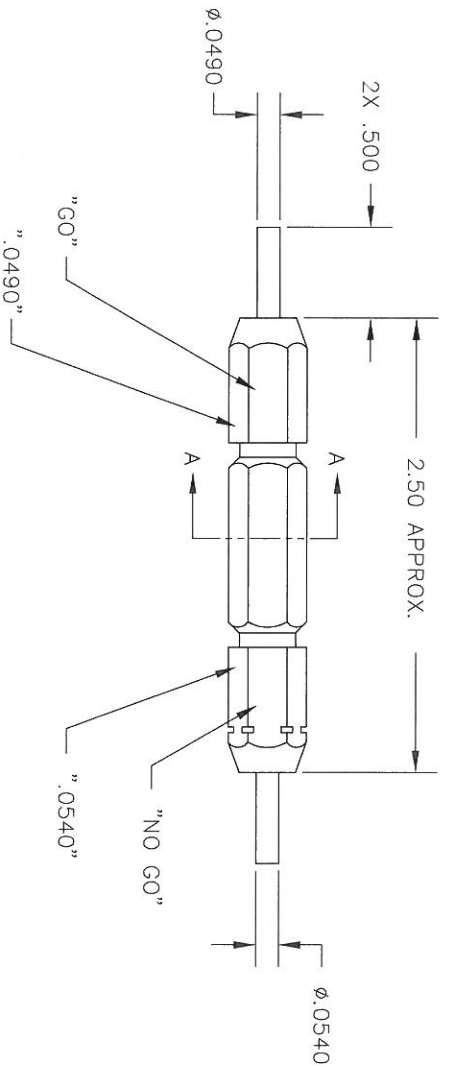


REVISIONS				
REV. SYM.	E.C.O. NUMBER	DESCRIPTION	BY DATE	APP'D DATE
1		ORIGINAL RELEASE	JMU 10/5/99	RRR 10/5/99



SECTION A-A



**UNCONTROLLED DOCUMENT
WILL NOT BE UPDATED**

DIMENSIONS IN INCHES - UNLESS OTHERWISE SPECIFIED

RESTRICTED & CONFIDENTIAL CONFIDENTIAL PROPERTY OF DANIELS MANUFACTURING CORP. NOT TO BE DISCLOSED TO OTHERS, REPRODUCED OR TRANSMITTED IN ANY FORM OR BY ANY MEANS, WITHOUT THE WRITTEN PERMISSION OF DANIELS MANUFACTURING CORP. ON COMPLETION OF ORDER OR OTHER PURPOSE FOR WHICH INT.		MATERIAL	HEAT TREAT	FINISH	DO NOT SCALE DRAWING	
		ITEM	PART NO.	QTY.	DESCRIPTION/REMARKS	
DRN. J. JOYCE	DATE 10/27/99					
CHK'D. RRR	DATE 10/27/99					
APP'D.	DATE					
NOTE: THIS DRAWING IS AN OUTLINE DRAWING OF THE RESPECTIVE DIM PART NUMBER INDICATED. ACTUAL DIM PART NUMBER WITHOUT THE "-ENV" SUFFIX.		WHERE USED: VM8		SCALE	CAD P/N	SHEET 1 OF 1
		TITLE GO/NO-GO GAGE ENVELOPE DRAWING		POSTING	G344-ENV	REV. 1
		DANIELS MANUFACTURING CORP. ORLANDO, FLORIDA CAGE 11851			G344-ENV	