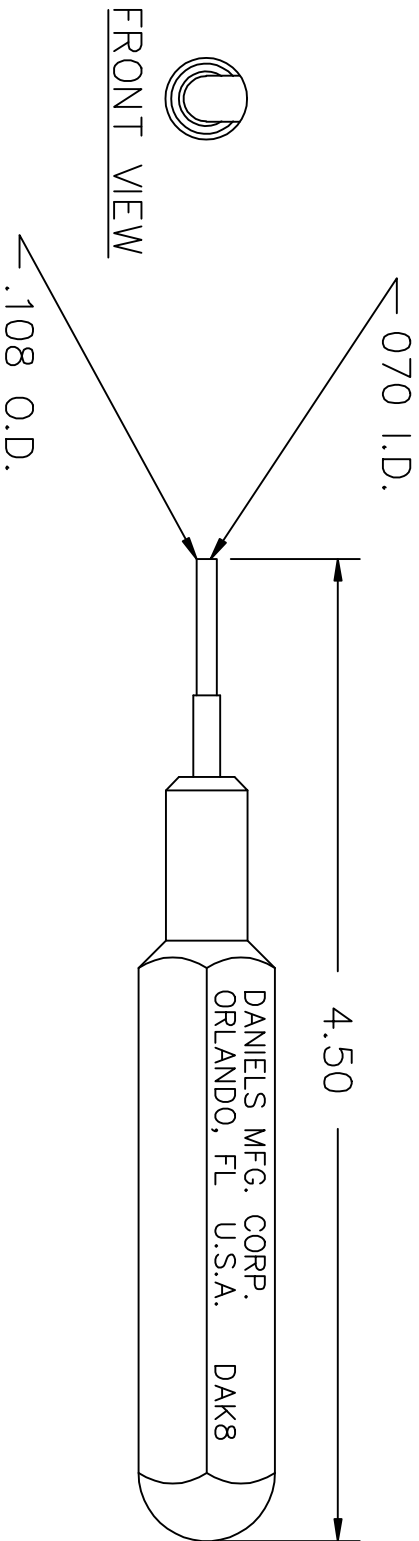



REVISIONS				
REV. SYM.	E.C.O. NUMBER	DESCRIPTION	BY DATE	APP'D DATE
1		ORIGINAL RELEASE	JWJ 12/17/01	RRR 12/17/01
2	21481	ADDED FRONT VIEW	KDH 10/30/09	RRR 10/30/09



NOTES:  
1. FRONT VIEW SCALED 3X

<b>RESTRICTED &amp; CONFIDENTIAL</b>		MATERIAL		ITEM		PART NO.		QTY.		DESCRIPTION/REMARKS	
CONFIDENTIAL PROPERTY OF DANIELS MANUFACTURING CORP. NOT TO BE DISCLOSED TO OTHERS, REPRODUCED OR USED FOR ANY OTHER PURPOSE, EXCEPT AS AUTHORIZED IN WRITING BY DANIELS MANUFACTURING. MUST BE RETURNED TO DANIELS MANUFACTURING CORP. ON COMPLETION OF ORDER OR OTHER PURPOSE FOR WHICH LENT.		HEAT TREAT		DRN. J. JOYCE		DATE 12/17/01		 DANIELS MANUFACTURING CORP. ORLANDO, FLORIDA CAGE 11851		INSTALLING TOOL ENVELOPE DRAWING	
				CHK'D. RRR		DATE 12/17/01					
DO NOT SCALE DRAWING		FINISH		APP'D.		DATE		WHERE USED:		CAD P/N	
				APP'D.		DATE		SIZE A		SCALE NTS	
				NOTE: THIS DRAWING IS AN OUTLINE DRAWING OF THE RESPECTIVE DMC PART NUMBER INDICATED. ACTUAL DMC PART NUMBER IS DRAWING NUMBER WITHOUT THE "-ENV" SUFFIX.				POSTING		SHEET 1 OF 1	
								DAK8-ENV		REV. 2	