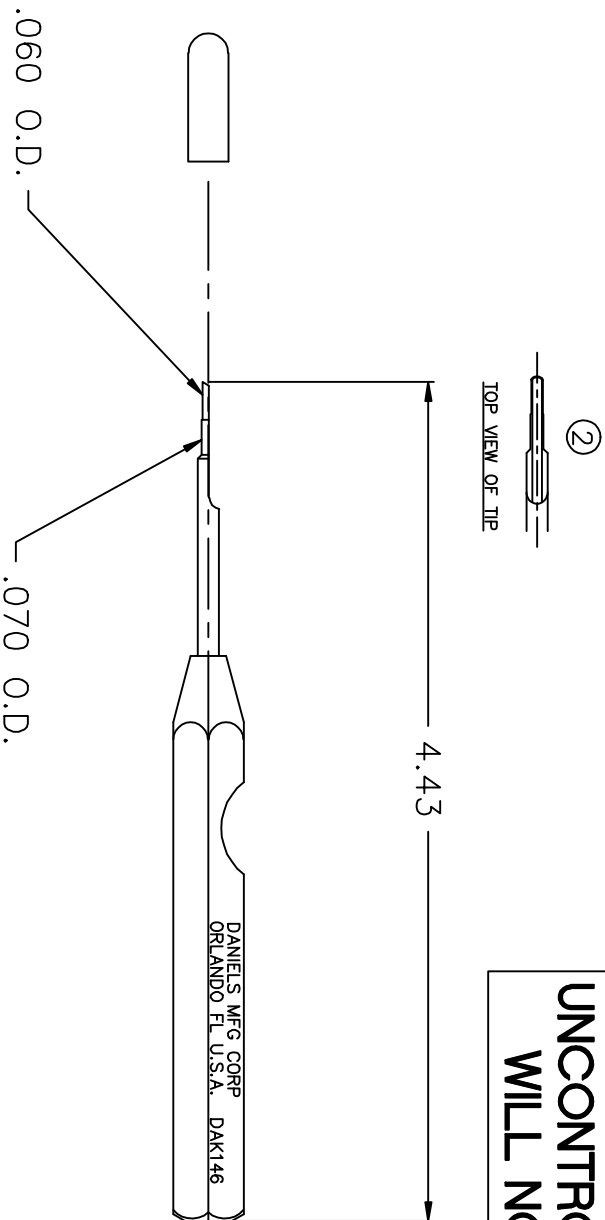


REVISIONS				
REV. SYM.	E.C.O. NUMBER	DESCRIPTION	BY DATE	APP'D DATE
1		ORIGINAL RELEASE	MSS 12/19/86	DE 12/86
2	21481	CHANGED "FUNCTIONAL EQUIVALENT" TO "COMPARABLE TO" ADDED TOP VIEW	KDH 10/30/09	RRR 10/30/09

**UNCONTROLLED DOCUMENT  
WILL NOT BE UPDATED**



②

1. COMPARABLE TO:  
ASTRO-ATM1046  
MATRIX-90-0001-022

NOTES:

RESTRICTED & CONFIDENTIAL  
CONFIDENTIAL PROPERTY OF DANIELS MANUFACTURING CORP. NOT TO BE DISCLOSED TO OTHERS, REPRODUCED OR USED FOR ANY OTHER PURPOSE EXCEPT AS AUTHORIZED IN WRITING BY DANIELS MANUFACTURING. MUST BE RETURNED TO DANIELS MANUFACTURING CORP. ON COMPLETION OF ORDER OR OTHER PURPOSES FOR WHICH LENT.

DO NOT SCALE DRAWING

MATERIAL	HEAT TREAT		FINISH																	
ITEM	PART NO.	QTY.	DESCRIPTION/REMARKS																	
DRN. MCS	DATE 12/19/86		<b>DMC</b> DANIELS MANUFACTURING CORP. ORLANDO, FLORIDA CAGE 11851																	
CHK'D. LME	DATE 12/19/86																			
APP'D. TR	DATE 12/19/86																			
TITLE: INSTALLING TOOL ENVELOPE DRAWING WHERE USED: <table border="1" style="width: 100%;"> <tr> <th>SIZE</th> <th>SCALE</th> <th>CAD P/N</th> <th>SHEET OF</th> </tr> <tr> <td>A</td> <td>4X</td> <td>DAK146-ENV</td> <td>1 1</td> </tr> <tr> <td colspan="2">POSTING</td> <td>DWG. NO.</td> <td>REV.</td> </tr> <tr> <td colspan="2"></td> <td>DAK146-ENV</td> <td>2</td> </tr> </table>					SIZE	SCALE	CAD P/N	SHEET OF	A	4X	DAK146-ENV	1 1	POSTING		DWG. NO.	REV.			DAK146-ENV	2
SIZE	SCALE	CAD P/N	SHEET OF																	
A	4X	DAK146-ENV	1 1																	
POSTING		DWG. NO.	REV.																	
		DAK146-ENV	2																	
NOTE: THIS DRAWING IS AN OUTLINE DRAWING OF THE RESPECTIVE DMC PART NUMBER INDICATED. ACTUAL DMC PART NUMBER IS DRAWING NUMBER WITHOUT THE "-ENV" SUFFIX.																				