

Data Sheet R-Series Cable Lugs and Butt Connectors

Cable Lugs

Available from 6 up to 400mm², bolt size M5 up to M20. Also available with inspection hole, part number appendix „MS“

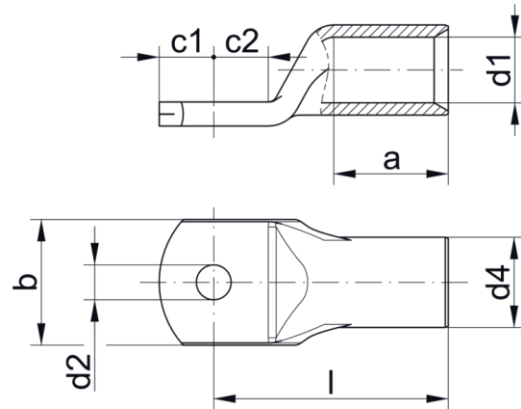


Figure similar

Drawing

A.1: Dimensions:

Part No.	Cross section class 2 mm ²	Cross section class 5 mm ²	Stud hole	Dimensions mm								Weight 100 pcs/ ~kg	Packing unit/pcs
				b	c1	c2	d1	d4	d2	a	l		
1R5	6	6	M5	10	6,5	7,5	3,5	6,5	5,5	9	21	0,50	100
1R6			M6	12	6,5	7,5	3,5	6,5	6,5	9	21	0,47	100
1R8			M8	15	10	10	3,5	6,5	8,5	9	23	0,54	100
1R10			M10	17	12	12	3,5	6,5	10,5	9	25	0,59	100
1R12			M12	19	13	13	3,5	6,5	13	9	28	0,63	100
2R5	10	10	M5	12	6,5	7,5	4,5	7	5,5	10	22	0,50	100
2R6			M6	12	6,5	7,5	4,5	7	6,5	10	22	0,49	100
2R8			M8	15	10	10	4,5	7	8,5	10	25	0,58	100
2R10			M10	17	12	12	4,5	7	10,5	10	27	0,62	100
2R12			M12	19	13	13	4,5	7	13	10	29	0,64	100
3R5	16	16	M5	12	5,5	6,5	5,5	8,5	5,5	13	26	0,84	100
3R6			M6	12	6,25	7,5	5,5	8,5	6,5	13	27	0,86	100
3R8			M8	15	8,5	9,5	5,5	8,5	8,5	13	29	0,93	100
3R10			M10	17	10,5	11,5	5,5	8,5	10,5	13	31	0,99	100
3R12			M12	19	12	13	5,5	8,5	13	13	33	1,02	100

Part No.	Cross section class 2 mm ²	Cross section class 5 mm ²	Stud hole	Dimensions mm								Weight 100 pcs/ ~kg	Packing unit/pcs
				b	c1	c2	d1	d4	d2	a	l		
4R5	25	25	M5	14	7,5	7,5	7	10	5,5	15	30	1,22	25
4R6			M6	14	7,5	7,5	7	10	6,5	15	30	1,20	100
4R8			M8	16	10	10	7	10	8,5	15	32	1,31	100
4R10			M10	18	12	12	7	10	10,5	15	34	1,57	100
4R12			M12	19	13	13	7	10	13	15	35	1,39	25
4R14			M14	21	14,5	14,5	7	10	15	15	38	1,49	25
5R6	35	35	M6	17	7,5	7,5	8,5	12	6,5	17	32	1,85	100
5R8			M8	17	10	10	8,5	12	8,5	17	34	2,00	100
5R10			M10	19	12	12	8,5	12	10,5	17	37	2,13	100
5R12			M12	21	13	13	8,5	12	13	17	38	2,12	100
5R14			M14	21	14,5	14,5	8,5	12	15	17	40	2,18	25
5R16			M16	26	16	16	8,5	12	17	17	42	2,24	25
6R6	50	50	M6	20	10	10	10	14	6,5	19	37	3,00	25
6R8			M8	20	10	10	10	14	8,5	19	37	2,93	50
6R10			M10	20	12	12	10	14	10,5	19	39	3,08	50
6R12			M12	23	13	13	10	14	13	19	43	3,23	50
6R14			M14	23	14,5	14,5	10	14	15	19	45	3,32	25
6R16			M16	28	16	16	10	14	17	19	46	3,38	25
6R20			M20	30	19	19	10	14	21	19	48	3,46	25
7R6	70	70	M6	23	10	10	12	16,5	6,5	21	43	4,49	25
7R8			M8	23	10	10	12	16,5	8,5	21	43	4,38	50
7R10			M10	23	12	12	12	16,5	10,5	21	44	4,54	50
7R12			M12	23	13	13	12	16,5	13	21	46	4,63	50
7R14			M14	23	14,5	14,5	12	16,5	15	21	48	4,76	25
7R16			M16	28	16	16	12	16,5	17	21	50	4,24	25
7R20			M20	30	19	19	12	16,5	21	21	53	5,09	25
8R8	95	95	M8	26	12	12	13,5	18	8,5	25	48	5,44	25
8R10			M10	26	12	12	13,5	18	10,5	25	48	5,4	50
8R12			M12	26	13	13	13,5	18	13	25	49	5,56	50
8R14			M14	26	14,5	14,5	13,5	18	15	25	51	5,62	25
8R16			M16	28	16	16	13,5	18	17	25	54	5,82	50
8R20			M20	36	22	22	13,5	18	21	25	60	6,71	25
9R8	120	120	M8	28	14	14	15	19,5	8,5	26	51	6,72	25
9R10			M10	28	14	14	15	19,5	10,5	26	51	6,57	50
9R12			M12	28	14	14	15	19,5	13	26	51	6,38	50
9R14			M14	28	15	15	15	19,5	15	26	52	6,45	25
9R16			M16	30	16	16	15	19,5	17	26	54	6,51	50
9R20			M20	36	22	22	15	19,5	21	26	63	7,74	25

Part No.	Cross section class 2 mm ²	Cross section class 5 mm ²	Stud hole	Dimensions mm								Weight 100 pcs/ ~kg	Packing unit/pcs
				b	c1	c2	d1	d4	d2	a	l		
10R8	150	150	M8	31	14	14	16,5	21	8,5	30	56	7,78	10
10R10			M10	31	14	14	16,5	21	10,5	30	56	7,62	10
10R12			M12	31	15	15	16,5	21	13	30	57	7,73	25
10R14			M14	31	15	15	16,5	21	15	30	57	7,64	10
10R16			M16	31	16	16	16,5	21	17	30	58	7,53	10
10R20			M20	36	22	22	16,5	21	21	30	66	8,80	10
11R10	185	185	M10	35	18	18	19	24	10,5	30	65	11,75	10
11R12			M12	35	18	18	19	24	13	30	65	11,82	10
11R14			M14	35	18	18	19	24	15	30	65	11,39	10
11R16			M16	35	18	18	19	24	17	30	65	11,24	25
11R20			M20	39	22	22	19	24	21	30	69	12,00	10
12R10	240	240	M10	39	21,5	19	21	26	10,5	35	72	14,72	10
12R12			M12	39	21,5	19	21	26	13	35	72	14,55	10
12R14			M14	39	21,5	19	21	26	15	35	72	14,24	10
12R16			M16	39	21,5	19	21	26	17	35	72	14,09	25
12R20			M20	39	21,5	19	21	26	21	35	72	13,60	10
13R12	300	300	M12	43	24	24	23,5	29,5	13	44	87	23,33	5
13R14			M14	43	24	24	23,5	29,5	15	44	87	23,14	5
13R16			M16	43	24	24	23,5	29,5	17	44	87	22,74	5
13R20			M20	43	24	24	23,5	29,5	21	44	87	22,19	5
14R12	400	400	M12	49	24	24	27	34	13	44	90	32,41	5
14R14			M14	49	24	24	27	34	15	44	90	32,24	5
14R16			M16	49	24	24	27	34	17	44	90	31,98	5
14R20			M20	49	24	24	27	34	21	44	90	31,41	5

Butt Connectors

Available from 6 up to 400mm²



Figure similar

Drawing

A.2: Dimensions:

Part No.	Cross section class 2 mm ²	Cross section class 5 mm ²	Dimensions mm			Weight 100 pcs/ ~kg	Packing unit/pcs
			d1	d4	l		
21R	6	6	3,5	6,5	25	0,50	100
22R	10	10	4,5	7,0	30	0,72	100
23R	16	16	5,5	8,5	35	1,00	100
24R	25	25	7,0	10,0	40	1,41	50
25R	35	35	8,5	12,0	45	2,24	50
26R	50	50	10,0	14,0	50	3,36	50
27R	70	70	12,0	16,5	55	4,87	50
28R	95	95	13,5	18,0	60	5,91	25
29R	120	120	15,0	19,5	65	7,00	25
30R	150	150	16,5	21,0	70	8,12	10
31R	185	185	19,0	24,0	75	10,06	10
32R	240	240	21,0	26,0	85	13,82	10
33R	300	300	23,5	29,5	100	21,94	5
34R	400	400	27,0	34,0	100	29,65	5

B: Material specifications:

1. General

Material: Cu according EN 13600

2. Condition

2.1 Surface

2.1.1 smooth, bright, even, no tears, scoring, folds, blisters, no other defects

2.1.2 averaged roughness depth Rz max. 2µm

2.1.3 galvanically tined (3 – 5 µm)

2.1.4 Maximum and minimum temperature: Min -40°C – Max. 120°C

C: Processing information:

1. Conductor compatibility

Compatible with class 2 conductor when using the hexagonal crimp and compatible with class 2 and class 5 according to IEC 60228 when using the indent crimp of the EKM60ID or EK30ID.

2. Standard crimping dies

2.1 EKM60ID, indent crimp

2.1.1 10-240 mm²

2.2 EK30IDML, indent crimp

2.2.1 6-120 mm²

2.3 Series 50, hexagonal crimp

2.3.1 Compatible tools

2.3.1.1 Battery mechanic tool: EK50ML

2.3.1.2 Hand tool: K50

Part No.	R504	R505
Cross section mm ²	6-16	16-25

2.4 Series 4, hexagonal crimp

2.4.1 Compatible tools

2.4.1.1 Battery hydraulic tools: EK354ML, EK354

2.4.1.2 Hand tools: K354

Part No.	HR46	HR410	HLR16	HR425	HR435	HR450	HR470	HR495	HR4120	HR4150
Cross section mm ²	6	10	16	25	35	50	70	95	120	150

2.5 Series 22, hexagonal crimp

2.5.1 Compatible tools

- 2.5.1.1 Battery hydraulic tools: EKM6022, EK6022, EKM60UNV + UA22, EK60UNV + UA22
- 2.5.1.2 Hand hydraulic tools: HK6022, HK60UNV + UA22
- 2.5.1.3 Crimping heads: PK22, PK60UNV + UA22
- 2.5.1.4 Hydraulic tool for workbench: THK22
- 2.5.1.5 Hand tool: K22

Part No.	R226	R2210	R2216	R2225	R2235	R2250	R2270
Cross section mm²	6	10	16	25	35	50	70
Part No.	R2295	R22120	R22150	R22185	R22240	R22300	
Cross section mm²	95	120	150	185	240	300	

2.6 Series 13, hexagonal crimp

2.6.1 Compatible tools

- 2.6.1.1 Battery hydraulic tools: EK12032, EK12042, EK120UNV + UA12TKL, EK120U, EK135FT + UA15T
- 2.6.1.2 Hand hydraulic tools: HK12030, HK12042, HK120U
- 2.6.1.3 Crimping heads: PK12042, PK120U, PK252 + 25A13, HK252 + 25A13
- 2.6.1.4 Hydraulic tool for workbench: THK120

Part No.	HR1310	HR1316	HR1325	HR1335	HR1350	HR1370
Cross section mm²	10	16	25	35	50	70
Part No.	HR1395	HR13120	HR13150	HR13185	HR13240	HR13300
Cross section mm²	95	120	150	185	240	300
Part No.	HR13400					
Cross section mm²	400					

2.7 Series 25, hexagonal crimp

2.7.1 Compatible tools

2.7.1.1 Crimping heads: HK252, PK252

Part No.	25A13 + HR1310	25A13 + HR1316	25A13 + HR1325	25A13 + HR1335	25A13 + HR1350	25A13 + HR1370
Cross section mm²	10	16	25	35	50	70
Part No.	25A13 + HR1395	25A13 + HR13120	HR13150	HR13185	HR13240	HR13300
Cross section mm²	95	120	150	185	240	300
Part No.	HR13400					
Cross section mm²	400					

2.8 Mechanical Hand tools with not interchangeable dies:

K2	0,75-16 mm ² , double indent crimp
K05	6-70 mm ² , hexagonal crimp
K06	6-120 mm ² , hexagonal crimp
K09	25-150 mm ² , hexagonal crimp
K95	16-95 mm ² , indent crimp
K5	6-50 mm ² , indent crimp

D: Certification and Tests

1. Underwriters Laboratories (UL) tested and listed acc. to UL 486A-486B
2. IEC 61238-1, class a in an accredited test laboratory
3. DNV certified and listed
4. Tested according to DIN EN 61373 category 1, class b