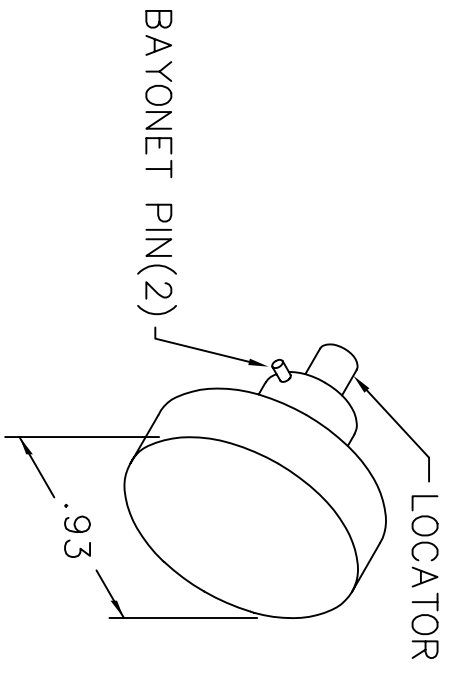
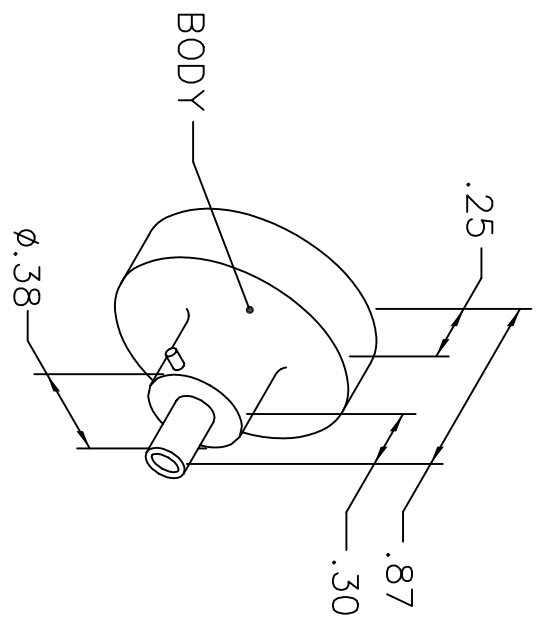


REVISIONS				
REV. SYM.	E.C.O. NUMBER	DESCRIPTION	BY DATE	APP'D DATE
1		ORIGINAL RELEASE	JMC 7-22-03	JWJ 7-22-03



NOTE: FOR USE WITH DANIELS MH860 CRIMP TOOL.

LOCATOR	
HOLE DIMENSIONS	ADDITIONAL FEATURES
∅.081	□ ∅.110
∇.690 MIN	∇.028

**RESTRICTED & CONFIDENTIAL**

CONFIDENTIAL PROPERTY OF DANIELS MANUFACTURING CORP. NOT TO BE DISCLOSED TO OTHERS, REPRODUCED OR USED FOR ANY OTHER PURPOSE, EXCEPT AS AUTHORIZED IN WRITING BY DANIELS MANUFACTURING. MUST BE RETURNED TO DANIELS MANUFACTURING CORP. ON COMPLETION OF ORDER OR OTHER PURPOSE FOR WHICH LENT.

DO NOT SCALE DRAWING

DRN.	JMC	DATE	7-22-03
CHK'D.	JWJ	DATE	7-22-03
APP'D.		DATE	
APP'D.		DATE	

NOTE: THIS DRAWING IS AN OUTLINE DRAWING OF THE RESPECTIVE DMC PART NUMBER INDICATED. ACTUAL DMC PART NUMBER IS DRAWING NUMBER WITHOUT THE "-ENV" SUFFIX.

**DMC** DANIELS MANUFACTURING CORP.  
ORLANDO, FLORIDA  
CAGE 11851

TITLE: POSITIONER ENVELOPE DRAWING

WHERE USED: MH860

SIZE	SCALE	CAD P/N	SHEET	REV.
A	NTS	86-265-ENV	1	1
POSTING		DWG. NO.		
		86-265-ENV		